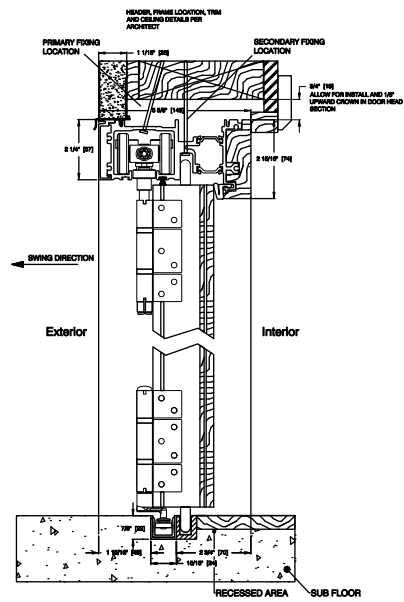


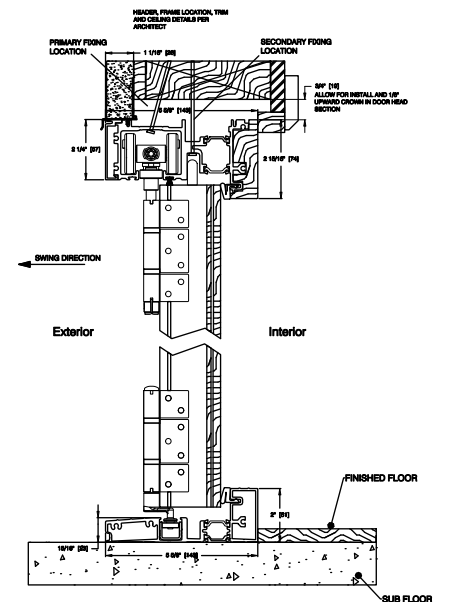
2817 Ocean Front Blvd., Suite 114  
 Oceanside, CA 92038  
 P: 760.754.1482  
 F: 760.754.1891

SYSTEM: ALUMINUM WOOD	SWING: OUTSWING
SILL: RAMP SILL	DATE: 08-16-12
	DRAWN BY: GD



2817 Ocean Front Blvd., Suite 114  
 Oceanside, CA 92038  
 P: 760.754.1482  
 F: 760.754.1891

SYSTEM: ALUMINUM WOOD	SWING: OUTSWING
SILL: GUIDE CHANNEL SILL	DATE: 01-27-12
	DRAWN BY: TS



2817 Ocean Front Blvd., Suite 114  
 Oceanside, CA 92038  
 P: 760.754.1482  
 F: 760.754.1891

SYSTEM: ALUMINUM WOOD	SWING: OUTSWING
SILL: STANDARD SILL	DATE: 01-27-12
	DRAWN BY: TS