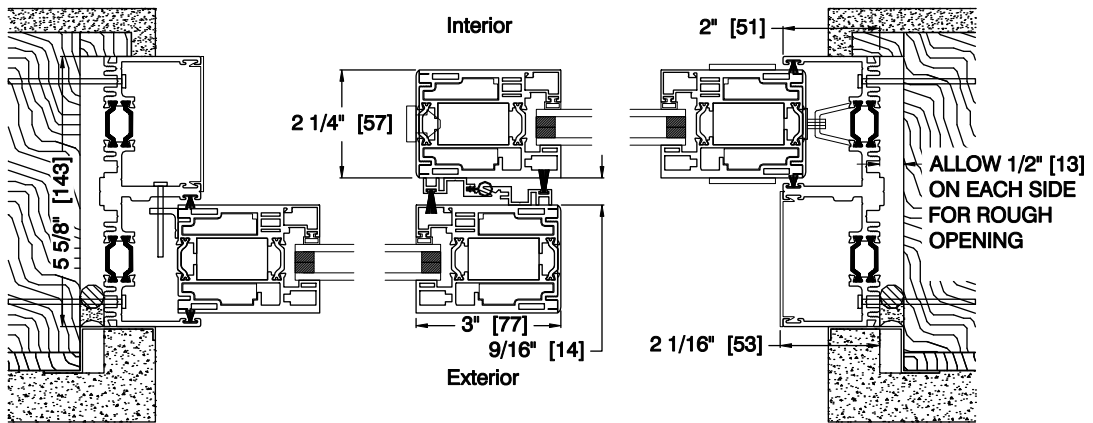


VERTICAL SECTION

← SLIDE DIRECTION



HORIZONTAL SECTION



3817 Ocean Ranch Blvd. Suite 114
 Oceanside, CA 92056
 P: 760.734.1590
 F: 760.734.1591

SYSTEM: ALUMINUM TC

SLIDER: OX

SILL: ADA COMPLIANT

DATE: 03-07-2014

DRAWN BY: GD