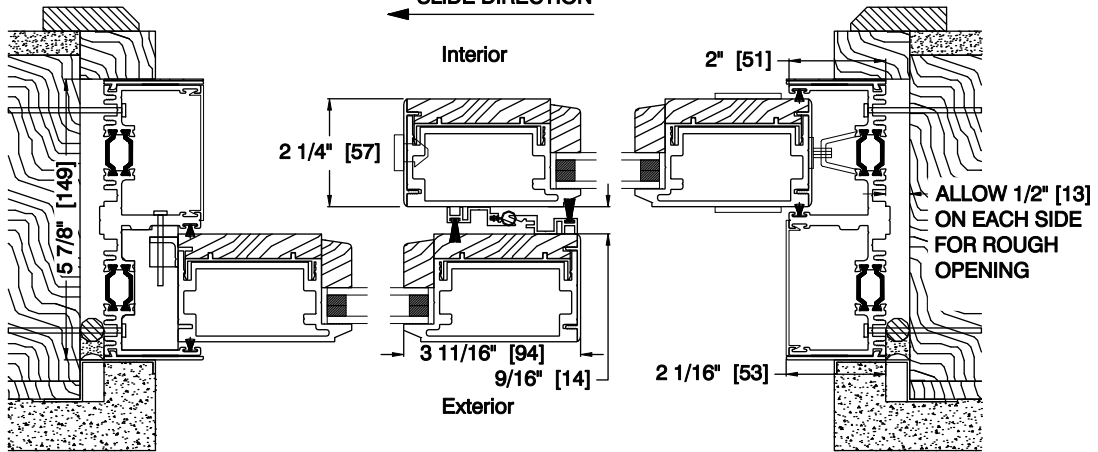


**VERTICAL SECTION**

← SLIDE DIRECTION



**HORIZONTAL SECTION**



3817 Ocean Ranch Blvd. Suite 114  
 Oceanside, CA 92056  
 P: 760.734.1590  
 F: 760.734.1591

SYSTEM: ALUMINUM WOOD

SLIDER: OX

SILL: ADA COMPLIANT

DATE: 03-07-2014

DRAWN BY: GD