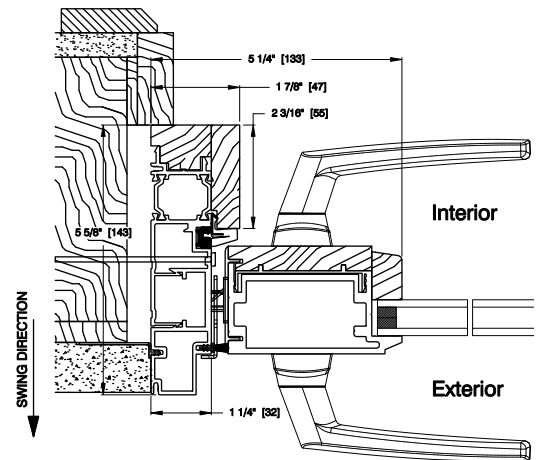
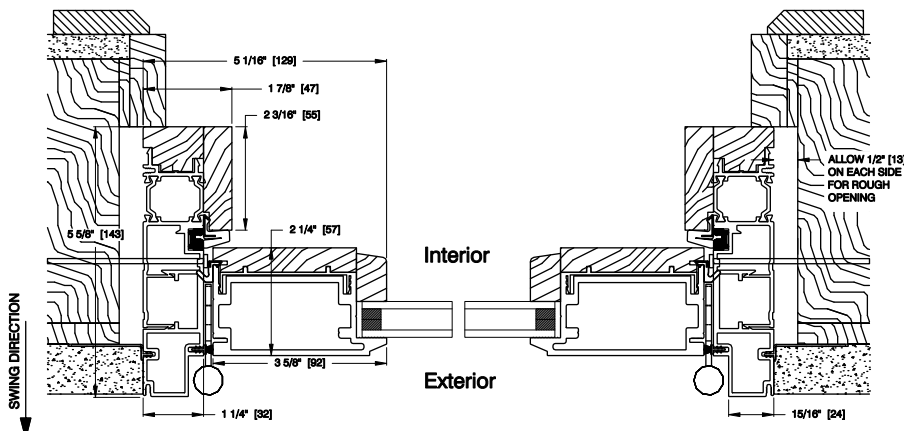


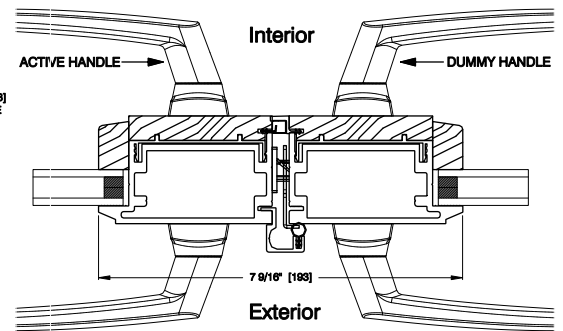
VERTICAL SECTION



SINGLE PANEL JAMB MEETING



HORIZONTAL SECTION



MEETING DETAIL



3817 Ocean Ranch Blvd. Suite 114
 Oceanside, CA 92056
 P: 760.734.1590
 F: 760.734.1591

SYSTEM: ALUMINUM WOOD SINGLE/DOUBLE

SWING: OUTSWING

SILL: OUTSWING WEATHER RESISTANT

DATE: 03-11-2014

DRAWN BY: GD