

Drawing No. ES F141

Ceramic Tile or Stone

SPECTRALOCK[®] PRO Premium Grout;
or, PERMACOLOR[®] Select

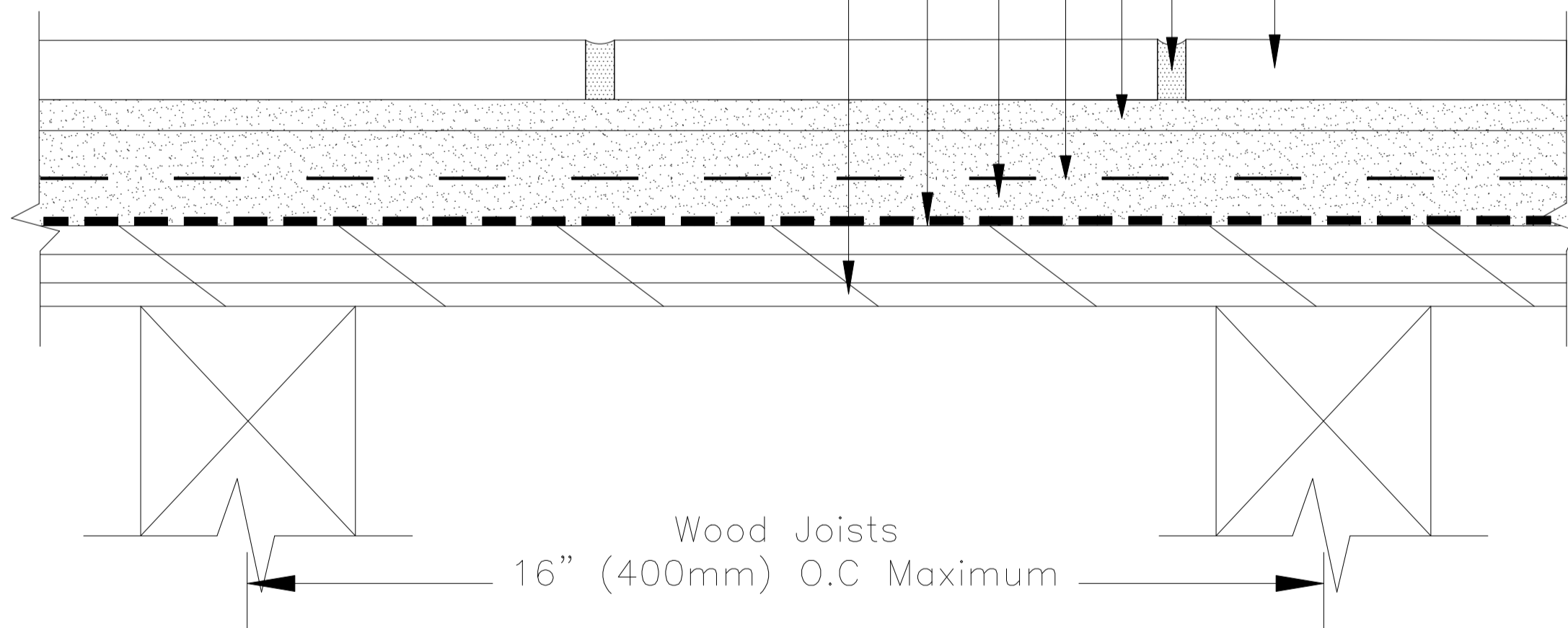
254 Platinum

Wire Reinforcing
16 Gauge, 2" x 2" (50mm x 50mm)
Welded, Galvanized Wire Mesh

3701 Fortified Mortar

4 mil Polyethylene or
15 lb. Builder's Felt

Exterior Glue Plywood
5/8" (16mm)



Revision Date: 1/15

Scale: N.T.S.

AS A PROFESSIONAL COURTESY, LATICRETE OFFERS TECHNICAL SERVICES FREE OF CHARGE. THE USER MAINTAINS ALL RESPONSIBILITY FOR VERIFYING THE APPLICABILITY AND SUITABILITY OF THE TECHNICAL SERVICE OR INFORMATION PROVIDED.

(C)2015 LATICRETE INTERNATIONAL, INC. ALL RIGHTS RESERVED. THE RIGHT TO UTILIZE LATICRETE DETAILS FOR COMMERCIAL PURPOSES IS GRANTED EXCLUSIVELY TO CONTRACTORS, ARCHITECTS, QUANTITY SURVEYORS, ENGINEERS, AND SPECIFICATIONS WRITERS. ALL TRADEMARKS SHOWN ARE THE INTELLECTUAL PROPERTIES OF THEIR RESPECTIVE OWNERS.