

Drawing No. ES F145

Exterior Glue Plywood
3/4" (19mm) or 23/32" (18mm)

Cleavage Membrane
4 Mil Polyethylene or 15 lb. Builder's Felt

3.4# Galvanized Diamond Wire Metal Lath

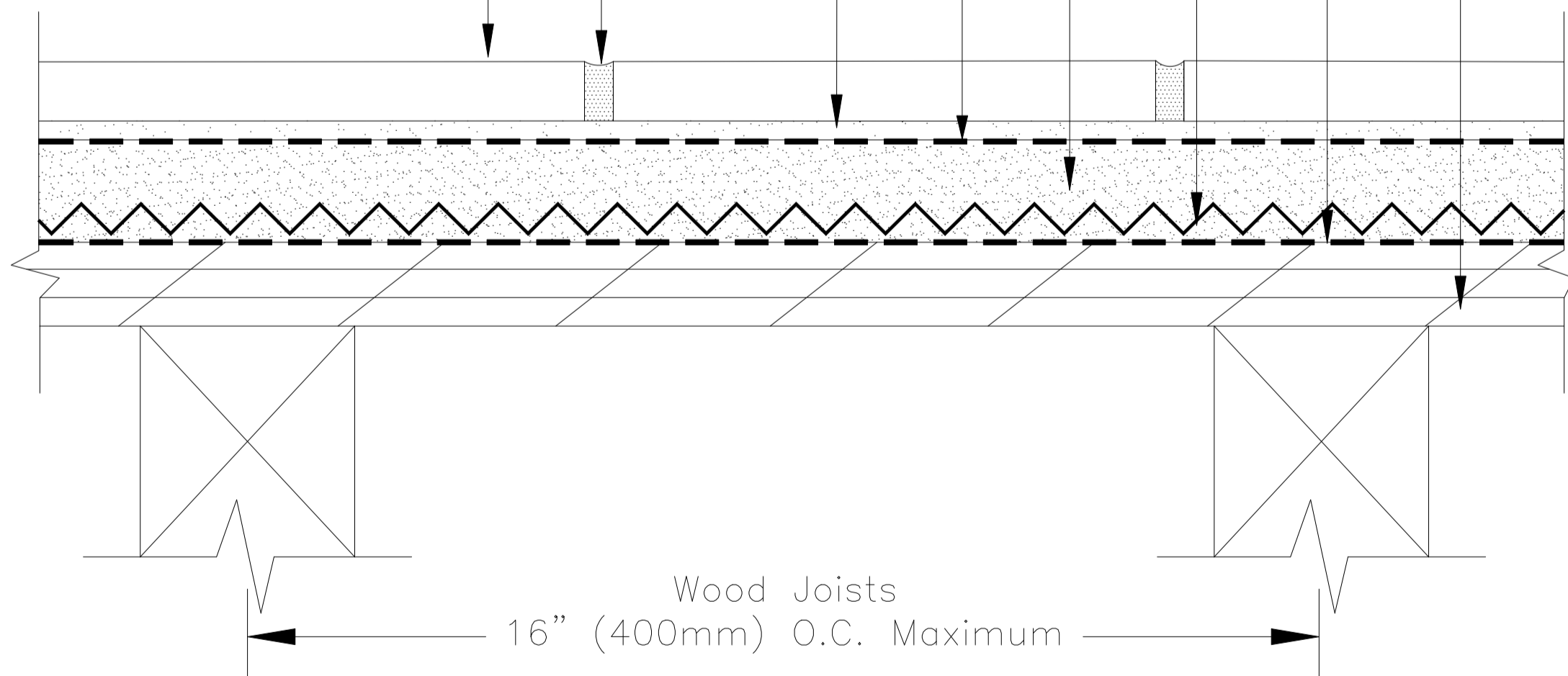
3701 Fortified Mortar

HYDRO BAN[®]

254 Platinum

SPECTRALOCK[®] PRO
Premium Grout; or,
PERMACOLOR[®] Select

Ceramic Tile or Stone



Revision Date: 1/15

Scale: N.T.S.

AS A PROFESSIONAL COURTESY, LATICRETE OFFERS TECHNICAL SERVICES FREE OF CHARGE. THE USER MAINTAINS ALL RESPONSIBILITY FOR VERIFYING THE APPLICABILITY AND SUITABILITY OF THE TECHNICAL SERVICE OR INFORMATION PROVIDED.

(C)2015 LATICRETE INTERNATIONAL, INC. ALL RIGHTS RESERVED. THE RIGHT TO UTILIZE LATICRETE DETAILS FOR COMMERCIAL PURPOSES IS GRANTED EXCLUSIVELY TO CONTRACTORS, ARCHITECTS, QUANTITY SURVEYORS, ENGINEERS, AND SPECIFICATIONS WRITERS. ALL TRADEMARKS SHOWN ARE THE INTELLECTUAL PROPERTIES OF THEIR RESPECTIVE OWNERS.