

# Drawing No. ES F180

Exterior Glue Plywood  
3/4" (19mm) or 23/32" (18mm)

3.4# Galvanized Diamond Wire Metal Lath

Gypsum Underlayment

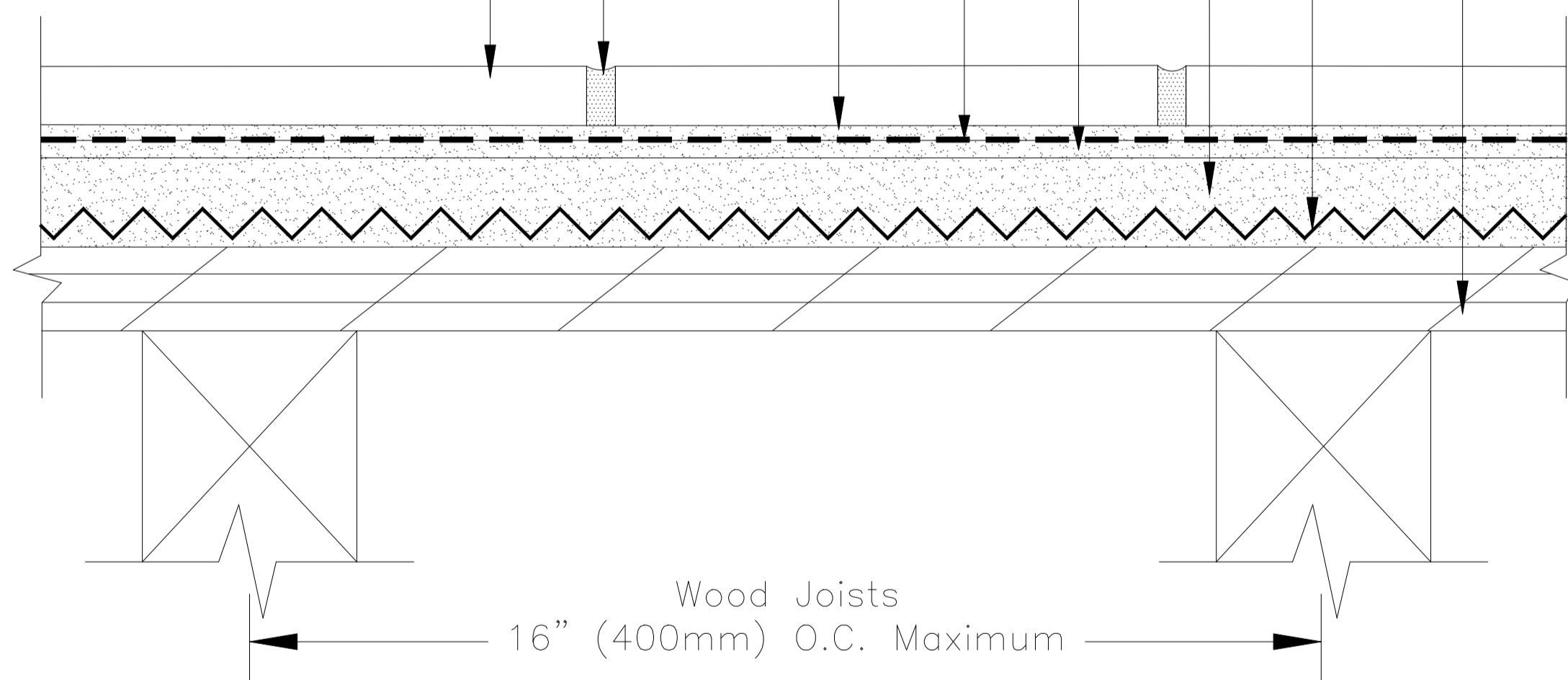
Hardened skim coat (min. 1/8" [3mm]) of 254 Platinum over cured poured gypsum underlayment (in lieu of gypsum top coat spray)

HYDRO BAN®

254 Platinum

SPECTRALOCK® PRO Premium Grout; or, PERMACOLOR® Select

Ceramic Tile or Stone



NOTE: LATICRETE cannot warranty against cracking or water penetration if either HYDRO BAN or 9235 Waterproofing Membrane is not installed.

Revision Date: 1/15

Scale: N.T.S.

AS A PROFESSIONAL COURTESY, LATICRETE OFFERS TECHNICAL SERVICES FREE OF CHARGE. THE USER MAINTAINS ALL RESPONSIBILITY FOR VERIFYING THE APPLICABILITY AND SUITABILITY OF THE TECHNICAL SERVICE OR INFORMATION PROVIDED.

(C)2015 LATICRETE INTERNATIONAL, INC. ALL RIGHTS RESERVED. THE RIGHT TO UTILIZE LATICRETE DETAILS FOR COMMERCIAL PURPOSES IS GRANTED EXCLUSIVELY TO CONTRACTORS, ARCHITECTS, QUANTITY SURVEYORS, ENGINEERS, AND SPECIFICATIONS WRITERS. ALL TRADEMARKS SHOWN ARE THE INTELLECTUAL PROPERTIES OF THEIR RESPECTIVE OWNERS.