

Drawing No. ES RH140

Ceramic Tile or Stone

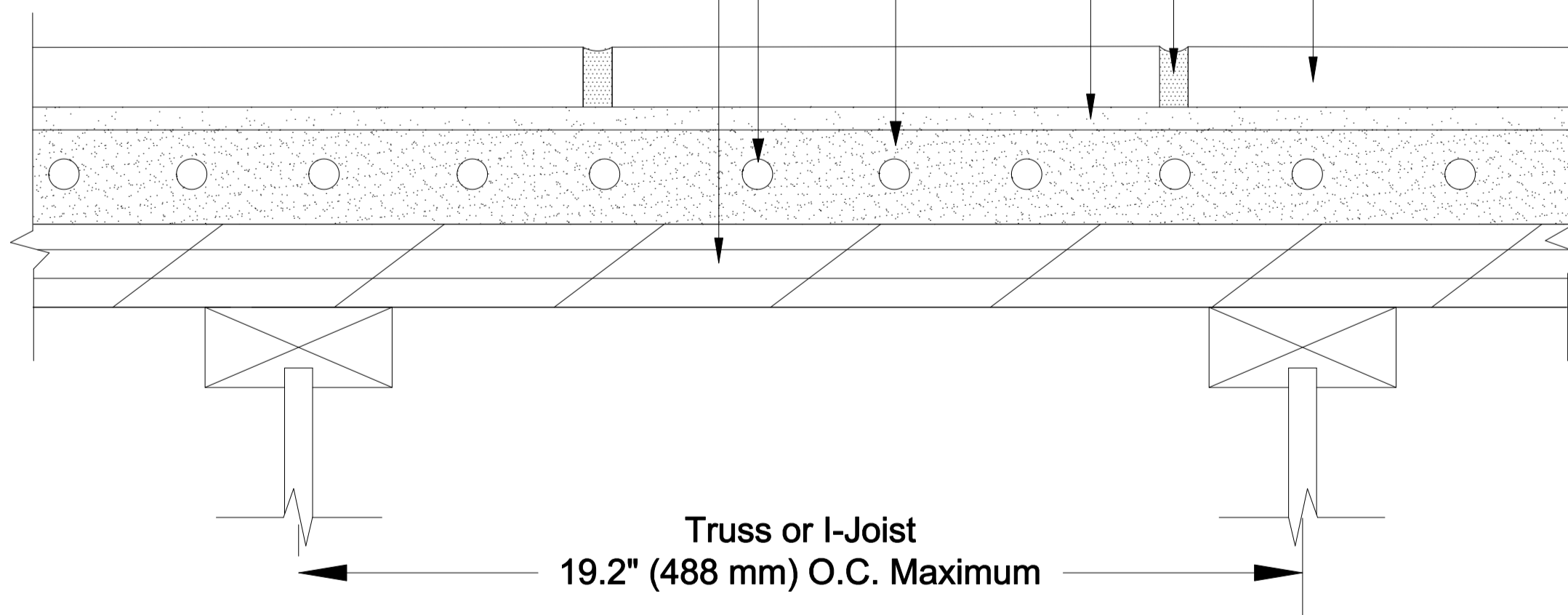
SPECTRALOCK[®] PRO Premium Grout;
or, PERMACOLOR[®] Select

254 Platinum

NXT[™] Level Plus over
NXT Primer (1/2" [12mm] to 1 1/4"
[32mm] thick)

Floor HEAT

Double Layer Exterior Glue
Plywood 5/8" (16mm) to
1 1/4" thick



Revision Date: 1/15

Scale: N.T.S.

AS A PROFESSIONAL COURTESY, LATICRETE OFFERS TECHNICAL SERVICES FREE OF CHARGE. THE USER MAINTAINS ALL RESPONSIBILITY FOR VERIFYING THE APPLICABILITY AND SUITABILITY OF THE TECHNICAL SERVICE OR INFORMATION PROVIDED.

(C)2015 LATICRETE INTERNATIONAL, INC. ALL RIGHTS RESERVED. THE RIGHT TO UTILIZE LATICRETE DETAILS FOR COMMERCIAL PURPOSES IS GRANTED EXCLUSIVELY TO CONTRACTORS, ARCHITECTS, QUANTITY SURVEYORS, ENGINEERS, AND SPECIFICATIONS WRITERS. ALL TRADEMARKS SHOWN ARE THE INTELLECTUAL PROPERTIES OF THEIR RESPECTIVE OWNERS.