



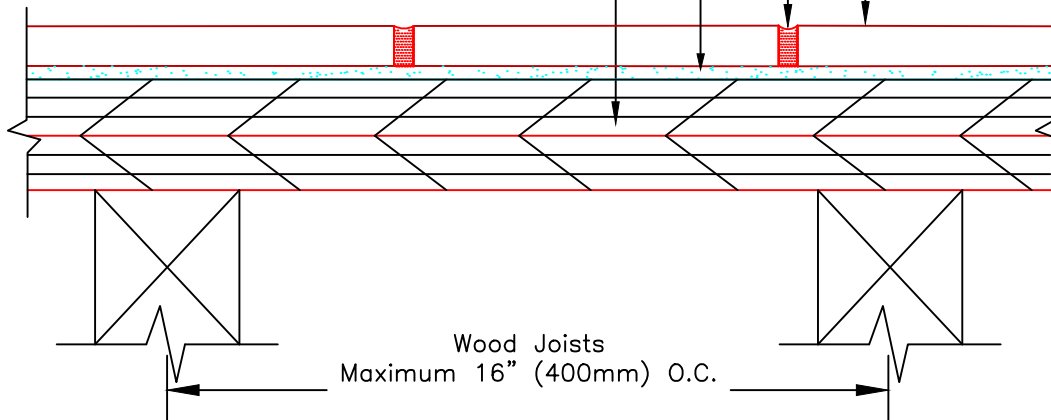
Drawing No. ES F150

Ceramic Tile or Stone

SPECTRALOCK[®] PRO Premium Grout;
or, PERMACOLOR[®] Select

Tile Installation Mortar*

Double Layer Exterior Glue Plywood
5/8" (16mm) – 1 1/4" total



*Tile Installation Mortar to be either 257 TITANIUM, 254 Platinum,
or MULTIMAX LITE.

Revision Date: 2/20

Scale: N.T.S.

AS A PROFESSIONAL COURTESY, LATICRETE OFFERS
TECHNICAL SERVICES FREE OF CHARGE. THE USER
MAINTAINS ALL RESPONSIBILITY FOR VERIFYING THE
APPLICABILITY AND SUITABILITY OF THE TECHNICAL
SERVICE OR INFORMATION PROVIDED.

(C)2020 LATICRETE INTERNATIONAL, INC. ALL RIGHTS RESERVED. THE RIGHT TO UTILIZE
LATICRETE DETAILS FOR COMMERCIAL PURPOSES IS GRANTED EXCLUSIVELY TO CONTRACTORS,
ARCHITECTS, QUANTITY SURVEYORS, ENGINEERS, AND SPECIFICATIONS WRITERS. ALL
TRADEMARKS SHOWN ARE THE INTELLECTUAL PROPERTIES OF THEIR RESPECTIVE OWNERS.