



Drawing No. ES F150B

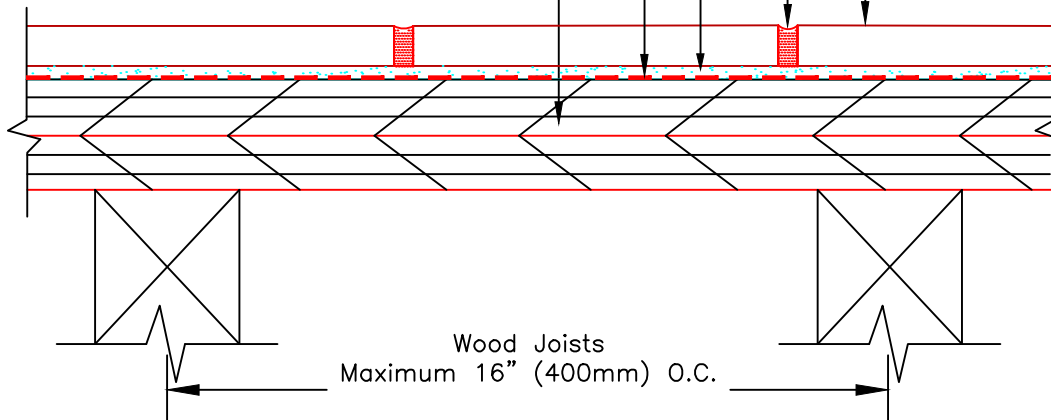
Ceramic Tile or Stone

SPECTRALOCK[®] PRO Premium Grout;
or, PERMACOLOR[®] Select

Tile Installation Mortar*

HYDRO BAN[®]

Double Layer Exterior Glue Plywood
5/8" (16mm) – 1 1/4" total



*Tile Installation Mortar to be either 257 TITANIUM, 254 Platinum,
or MULTIMAX LITE.

Revision Date: 2/20

Scale: N.T.S.

AS A PROFESSIONAL COURTESY, LATICRETE OFFERS TECHNICAL SERVICES FREE OF CHARGE. THE USER MAINTAINS ALL RESPONSIBILITY FOR VERIFYING THE APPLICABILITY AND SUITABILITY OF THE TECHNICAL SERVICE OR INFORMATION PROVIDED.

(C)2020 LATICRETE INTERNATIONAL, INC. ALL RIGHTS RESERVED. THE RIGHT TO UTILIZE LATICRETE DETAILS FOR COMMERCIAL PURPOSES IS GRANTED EXCLUSIVELY TO CONTRACTORS, ARCHITECTS, QUANTITY SURVEYORS, ENGINEERS, AND SPECIFICATIONS WRITERS. ALL TRADEMARKS SHOWN ARE THE INTELLECTUAL PROPERTIES OF THEIR RESPECTIVE OWNERS.