

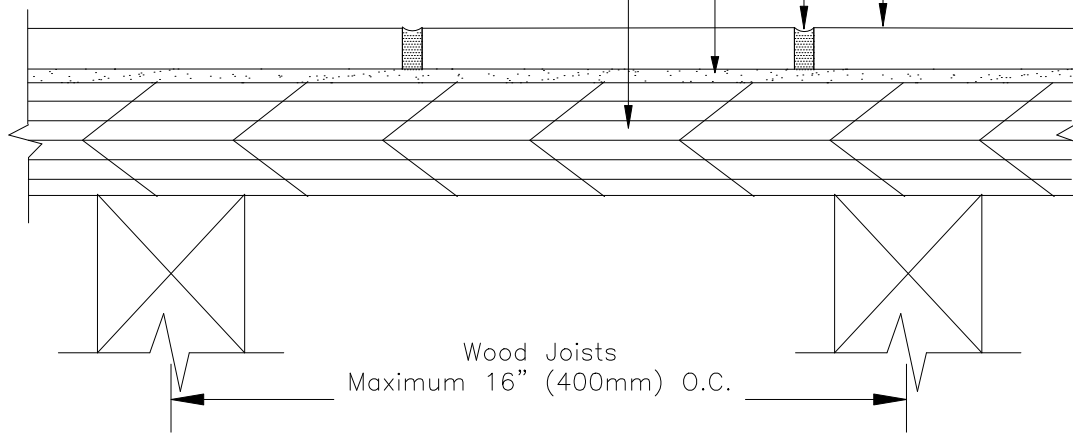
ES F150
 Exterior Glue Plywood
 Double Layer—Thin Bed
 Interior Only

Ceramic Tile or Stone

LATICRETE® SpectraLOCK® PRO Grout;
 or LATICRETE 1500 Sanded Grout
 or 1600 Unsanded Grout mixed with
 LATICRETE 1776 Grout Enhancer

LATICRETE 254 Platinum

Exterior Glue Plywood
 Double Layer – 5/8" (16mm)



Wood Joists
 Maximum 16" (400mm) O.C.

Revision Date: 5/08 Scale: N.T.S.

AS A PROFESSIONAL COURTESY, LATICRETE OFFERS TECHNICAL SERVICES FREE OF CHARGE. THE USER MAINTAINS ALL RESPONSIBILITY FOR VERIFYING THE APPLICABILITY AND SUITABILITY OF THE TECHNICAL SERVICE OR INFORMATION PROVIDED.

(C)2008 LATICRETE INTERNATIONAL, INC. ALL RIGHTS RESERVED. THE RIGHT TO UTILIZE LATICRETE DETAILS FOR COMMERCIAL PURPOSES IS GRANTED EXCLUSIVELY TO CONTRACTORS, ARCHITECTS, QUANTITY SURVEYORS, ENGINEERS, AND SPECIFICATIONS WRITERS. LATICRETE (R), LATAPOXY (R) ARE REGISTERED TRADEMARKS OF LATICRETE INTERNATIONAL, INC. US & FOREIGN PATENT AND TRADEMARK OFFICES. MARCA REGISTRADA. ALL OTHER TRADEMARKS ARE PROPERTY OF THEIR RESPECTIVE COMPANIES.