

ES RH135 Backer Board—Electric Radiant Heat In Thin Set Interior Only

Exterior Glue Plywood
5/8" (16mm)

LATICRETE® 254 Platinum

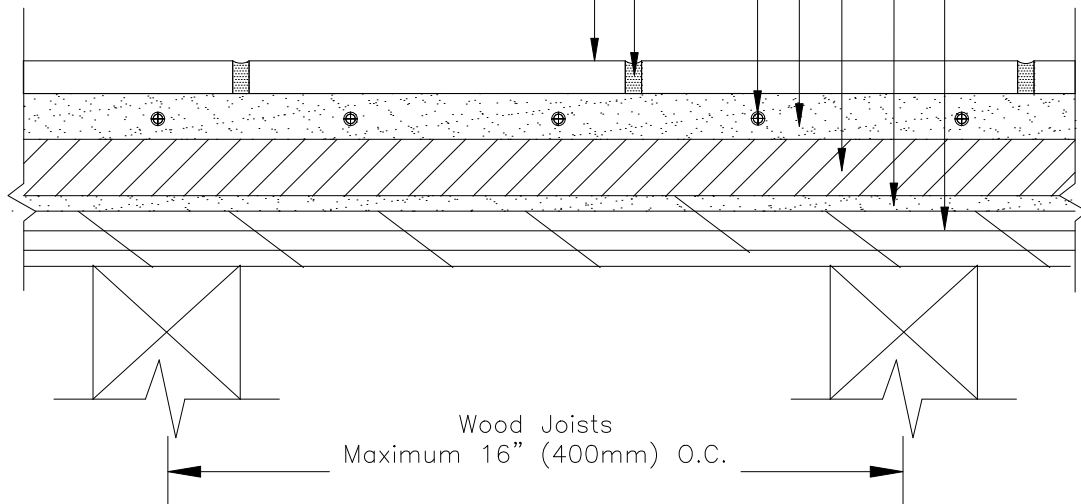
Cement Backer Board
1/2" (12mm)

LATICRETE 254 Platinum

LATICRETE Floor HEAT

LATICRETE SpectraLOCK® PRO Grout;
or LATICRETE 1500 Sanded Grout
or 1600 Unsanded Grout mixed with
LATICRETE 1776 Grout Enhancer

Ceramic Tile or Stone



Revision Date: 5/08

Scale: N.T.S.

AS A PROFESSIONAL COURTESY, LATICRETE OFFERS TECHNICAL SERVICES FREE OF CHARGE. THE USER MAINTAINS ALL RESPONSIBILITY FOR VERIFYING THE APPLICABILITY AND SUITABILITY OF THE TECHNICAL SERVICE OR INFORMATION PROVIDED.

(C)2008 LATICRETE INTERNATIONAL, INC. ALL RIGHTS RESERVED. THE RIGHT TO UTILIZE LATICRETE DETAILS FOR COMMERCIAL PURPOSES IS GRANTED EXCLUSIVELY TO CONTRACTORS, ARCHITECTS, QUANTITY SURVEYORS, ENGINEERS, AND SPECIFICATIONS WRITERS. LATICRETE (R), LATAPOXY (R) ARE REGISTERED TRADEMARKS OF LATICRETE INTERNATIONAL, INC. US & FOREIGN PATENT AND TRADEMARK OFFICES. MARCA REGISTRADA. ALL OTHER TRADEMARKS ARE PROPERTY OF THEIR RESPECTIVE COMPANIES.