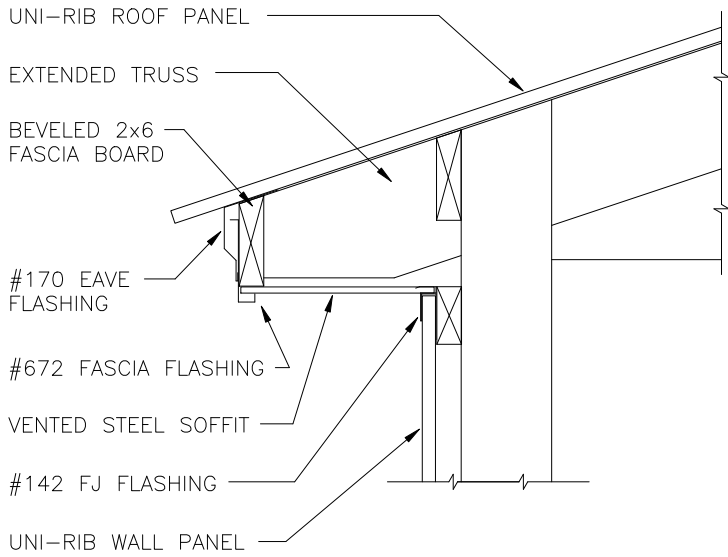
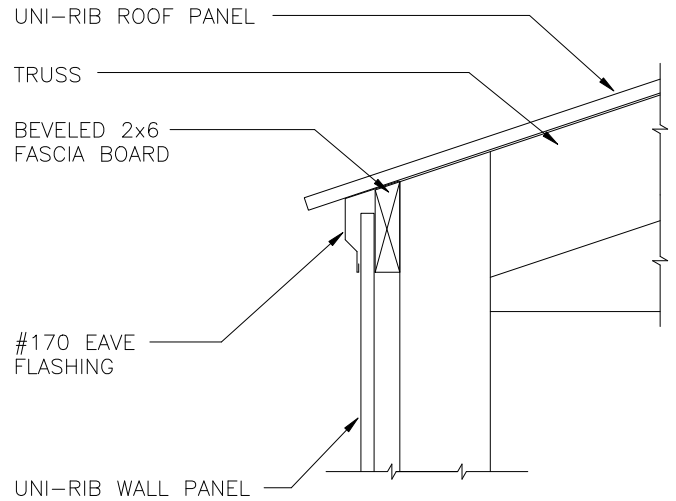


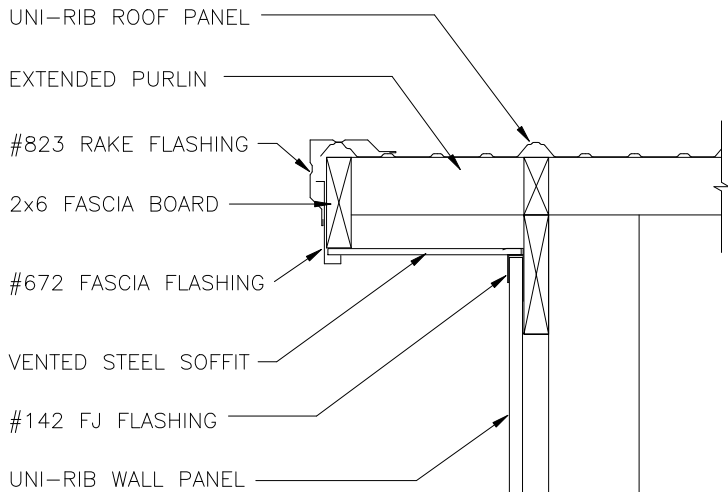
Eave, Rake, & Ridge



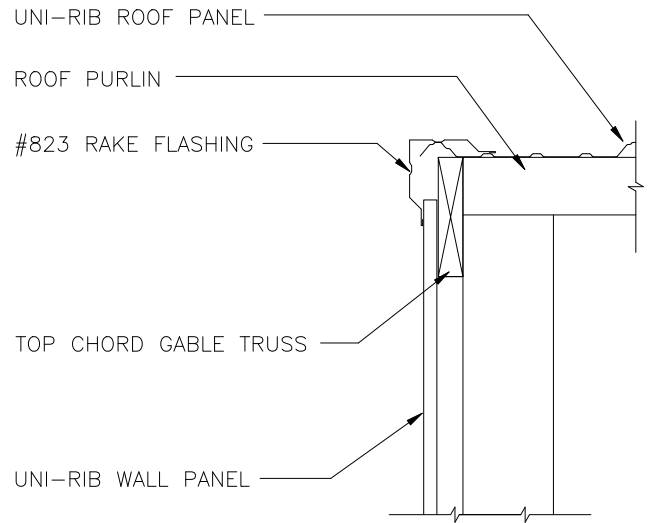
EAVE OVERHANG



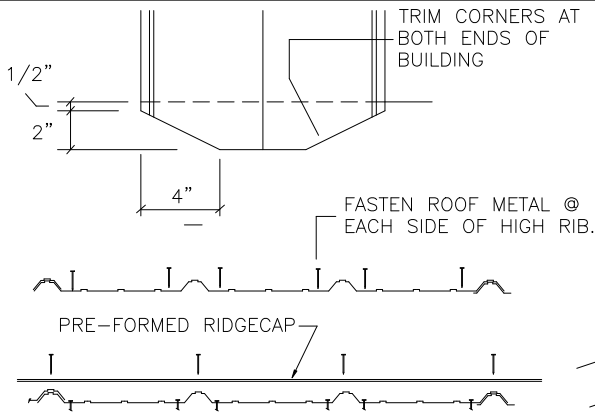
EAVE NO OVERHANG



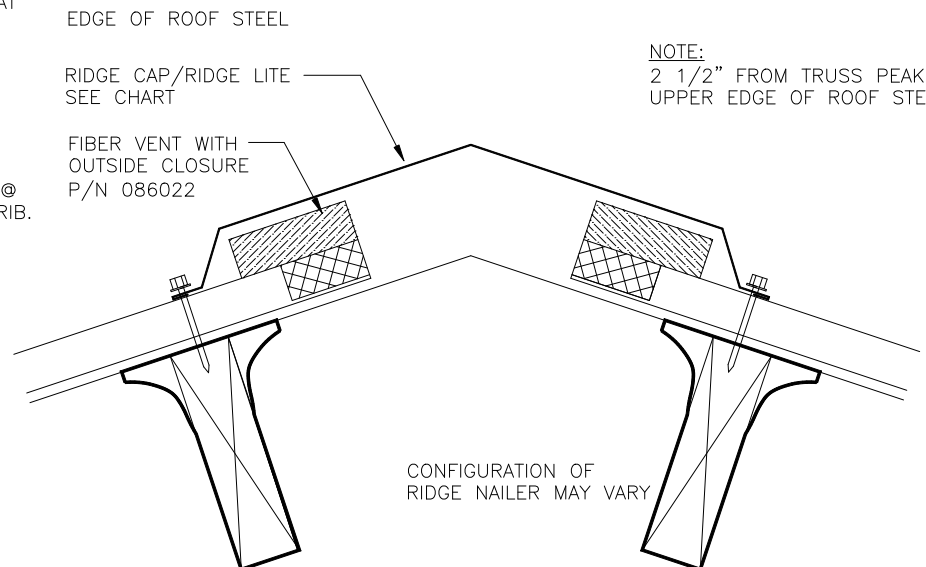
RAKE OVERHANG



RAKE NO OVERHANG



ROOF SLOPE	RIDGECAP	P/N
< OR = 5/12	#152 TRIM	141152
GREATER THAN 5/12	#153 TRIM	141153



NOTE:
2 1/2" FROM TRUSS PEAK TO UPPER EDGE OF ROOF STEEL

VENTED RIDGE