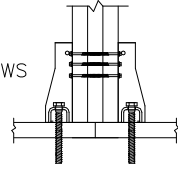
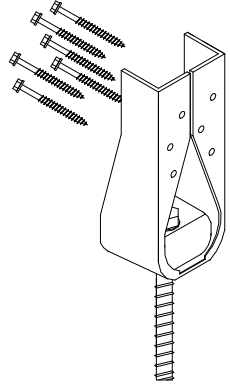


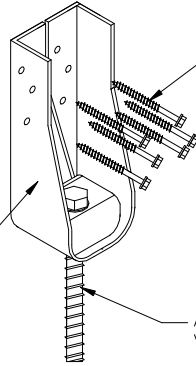
Column to Concrete Connections



___-PLY COLUMN &
PHD2A BRACKET
FASTENED W/(6)
1/4" X 3" WS3 SCREWS



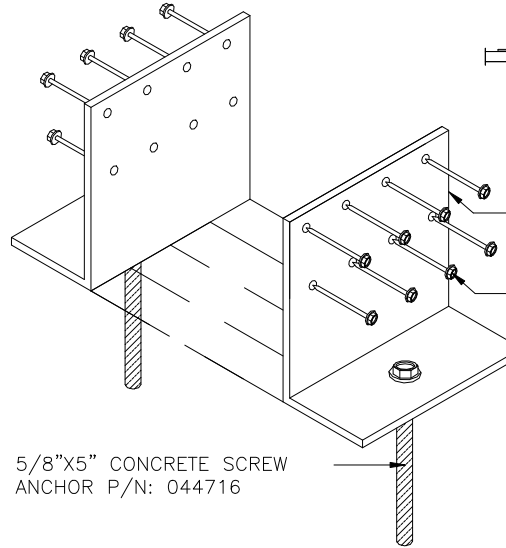
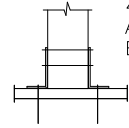
PHD2A HOLD
DOWN BRACKET



(6) 1/4" X 3"
WS3 SCREWS

ANCHOR - SEE PLAN
VIEW FOR TYPE

4-PLY COLUMN
ANGLE ANCHOR
BRACKET
P/N: 046355



3669 1/4 THK"
ANGLE ANCHOR
PLATE

3/16" x 2.875"
TRUSSLOK-Z SCREW
FILL ALL HOLES
P/N: 042242

5/8"X5" CONCRETE SCREW
ANCHOR P/N: 044716

