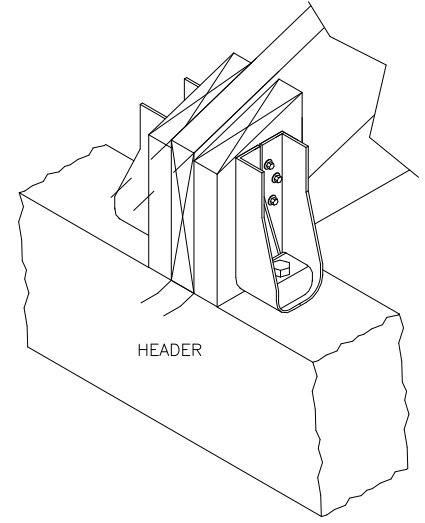
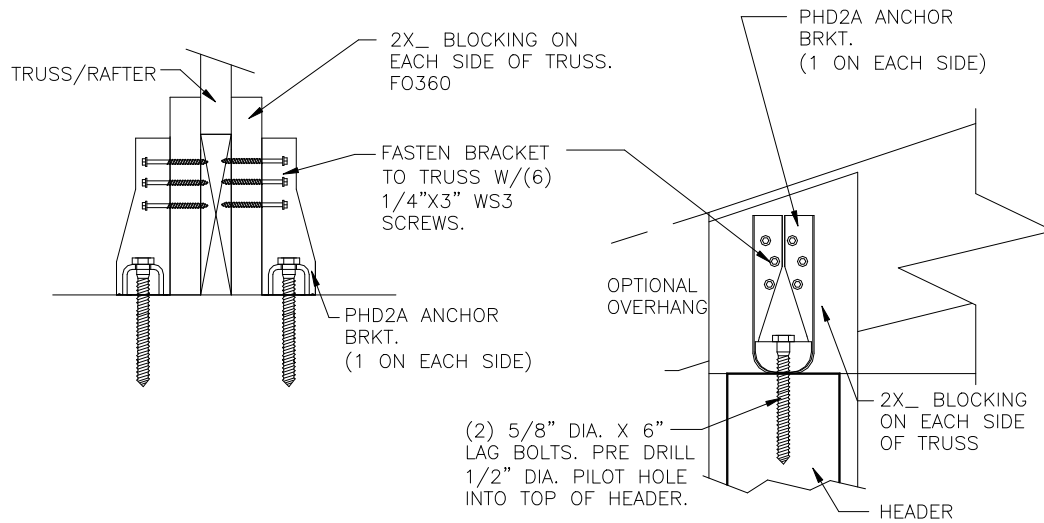
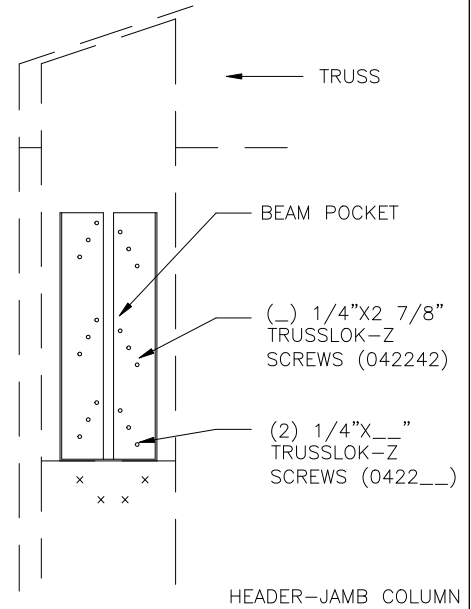
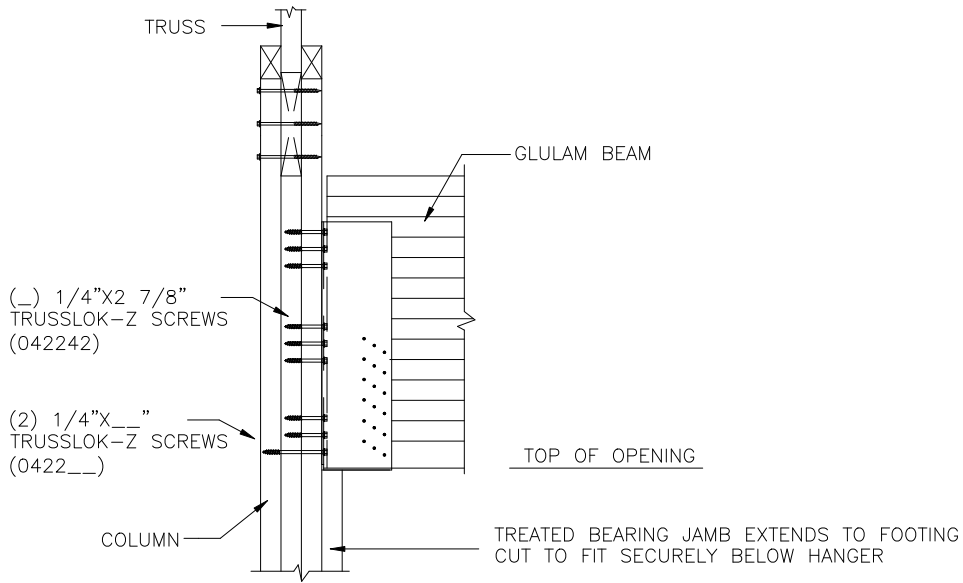
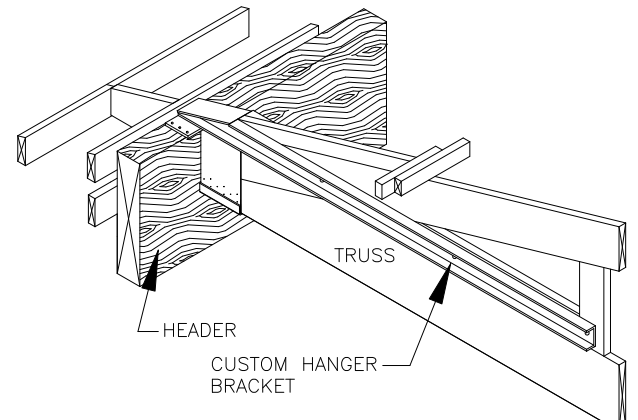
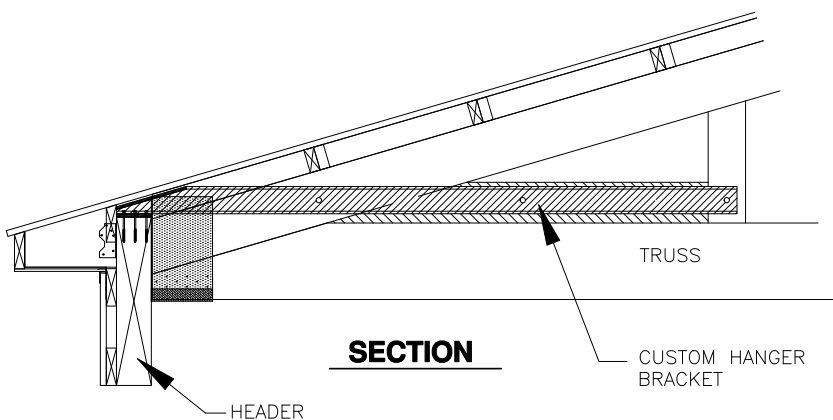


# Header Connections



TRUSS-HEADER



**ISOMETRIC**

BACK MOUNT TRUSS TO MAXIMIZE OPENING HEIGHT