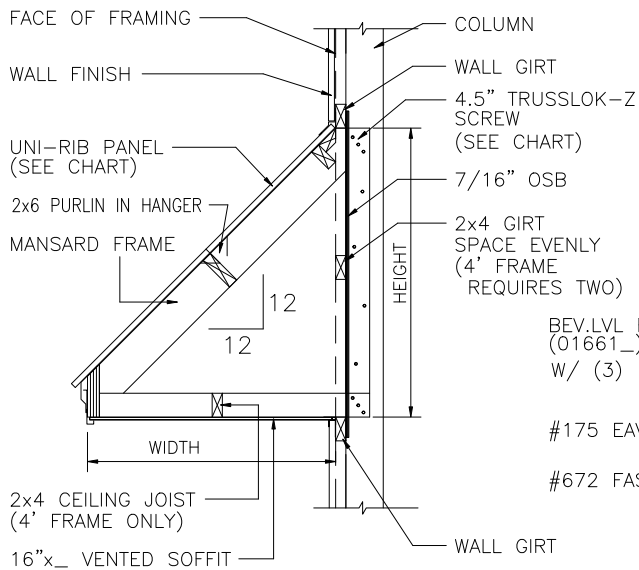
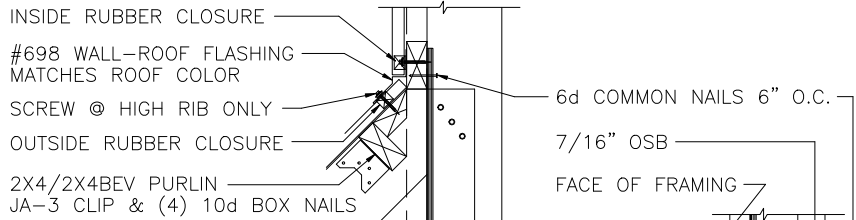


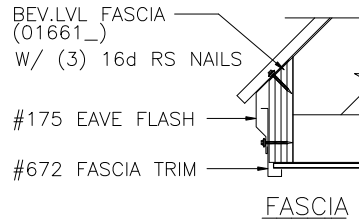
Mansard & Deep Fascia O.H.



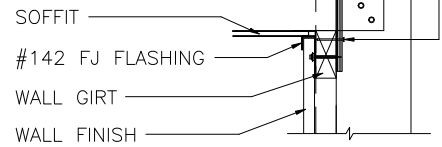
MANSARD - SECTION



WALL TO ROOF TRANSITION

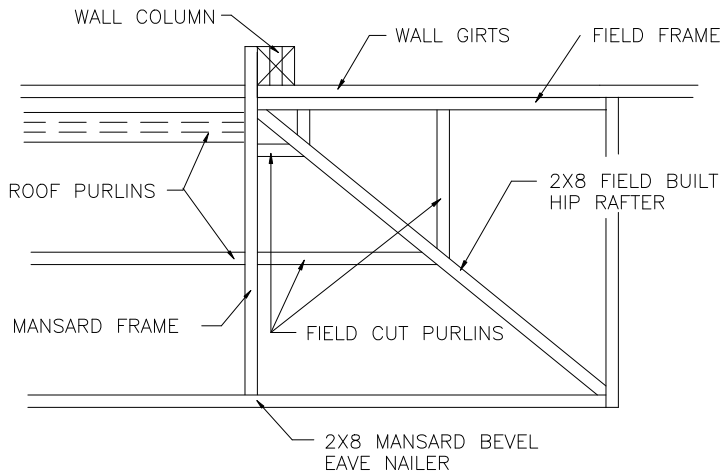


FASCIA

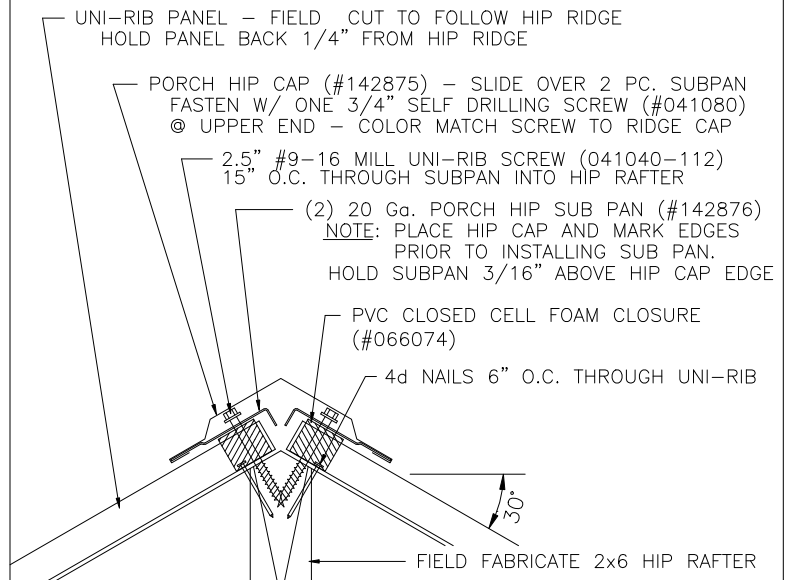


SOFFIT TO WALL TRANSITION

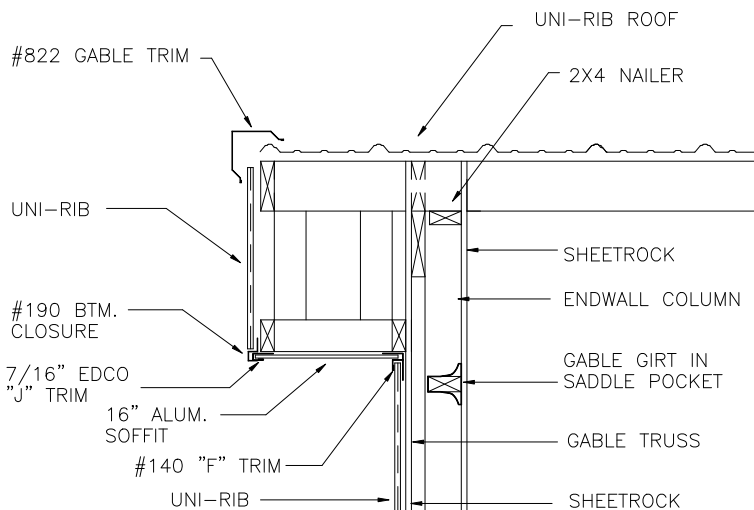
		4.5" TRUSSLOK-Z (042243)				
WIDTH	HEIGHT	FRAME	SOFFIT	UNI-RIB	VERTICAL	TOP/BOT.
24"	30"	672245	23 3/4"	3'-0 1/4"	0	3 / 3
36"	42"	672246	35 3/4"	4'-5 1/4"	4	3 / 3
48"	54"	672247	47 3/4"	5'-10 1/4"	6	3 / 3



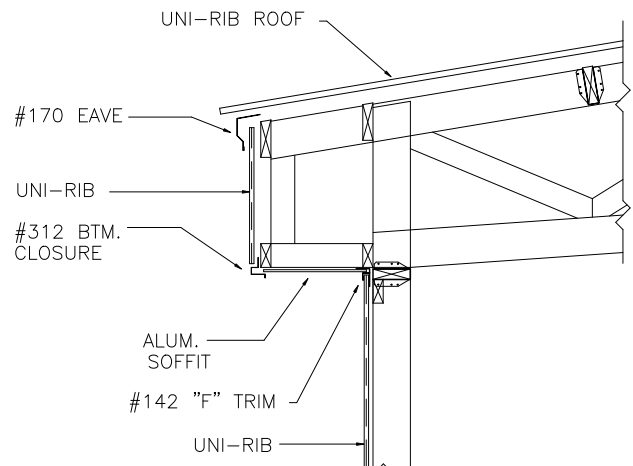
MANSARD - PLAN



MANSARD - HIP RIDGE DETAIL



DEEP FASCIA OVERHANG - GABLE



DEEP FASCIA OVERHANG - EAVE