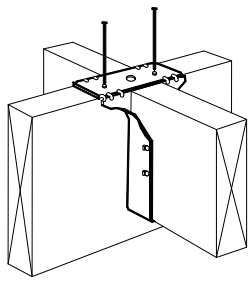
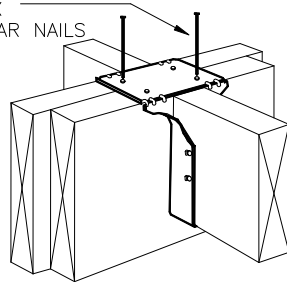


Purlin Options

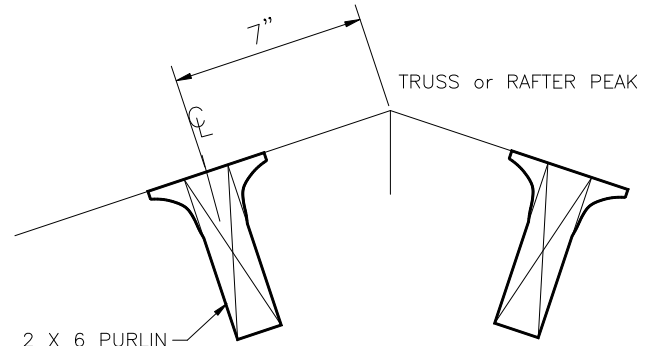


FULL SADDLE HANGER
1-PLY TRUSS/RAFTER
P/N: 045996 (2X4)
P/N: 045998 (2X6)

(2) 10 GA X
1 1/4" SHEAR NAILS
(TYP.)



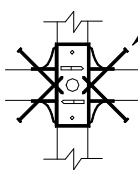
FULL SADDLE HANGER
2-PLY TRUSS/RAFTER
P/N: 045999 (2X6)



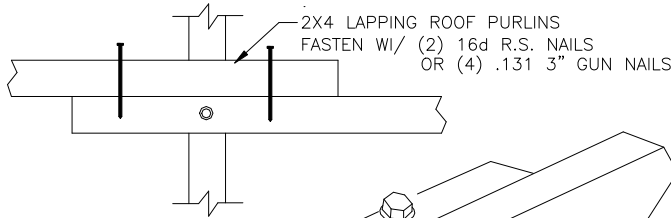
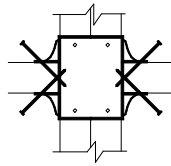
2 X 6 PURLIN

TRUSS or RAFTER PEAK

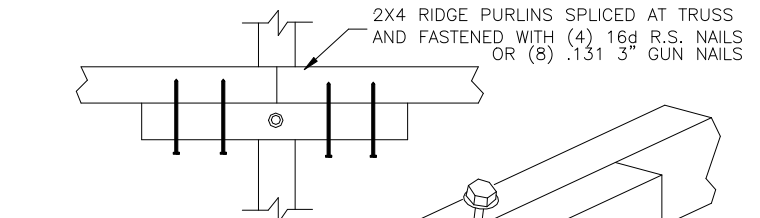
FLUSH PURLIN



2X4: (2)
2X6: (4)
10d GALV COMMONS
(TYP.)



2X4 LAPPING ROOF PURLINS
FASTEN W/ (2) 16d R.S. NAILS
OR (4) .131 3" GUN NAILS



2X4 RIDGE PURLINS SPLICED AT TRUSS
AND FASTENED WITH (4) 16d R.S. NAILS
OR (8) .131 3" GUN NAILS

2X4-ROOF PURLIN
FACTORY DRILLED & DADOED
FASTENED W/ 3/16"x6" SCREW
AND WASHER

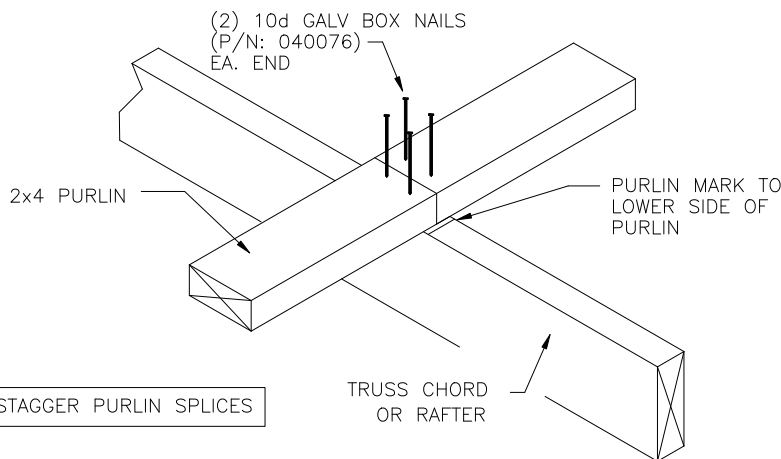
2X4-24" NAIL BLOCK
W/ PRE DRILLED HOLE

TRUSS TOP CHORD

TRUSS TOP CHORD

RIDGELINE

TOP MOUNT PURLIN



(2) 10d GALV BOX NAILS
(P/N: 040076)
EA. END

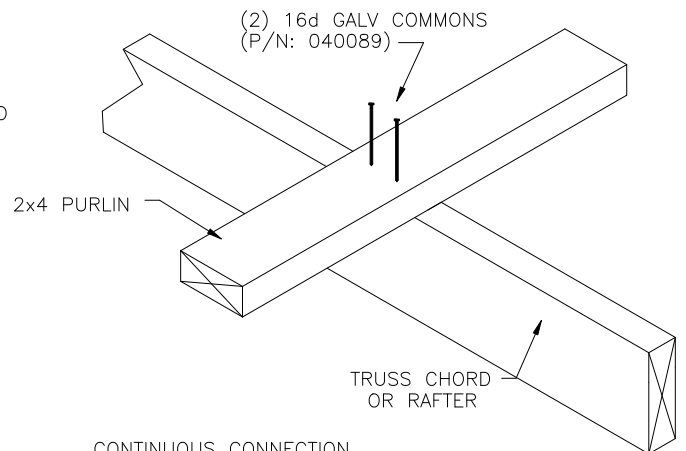
2x4 PURLIN

PURLIN MARK TO
LOWER SIDE OF
PURLIN

STAGGER PURLIN SPLICES

TRUSS CHORD
OR RAFTER

SPLICE CONNECTION



(2) 16d GALV COMMONS
(P/N: 040089)

2x4 PURLIN

TRUSS CHORD
OR RAFTER

CONTINUOUS CONNECTION

TOP MOUNT PURLIN- FLAT