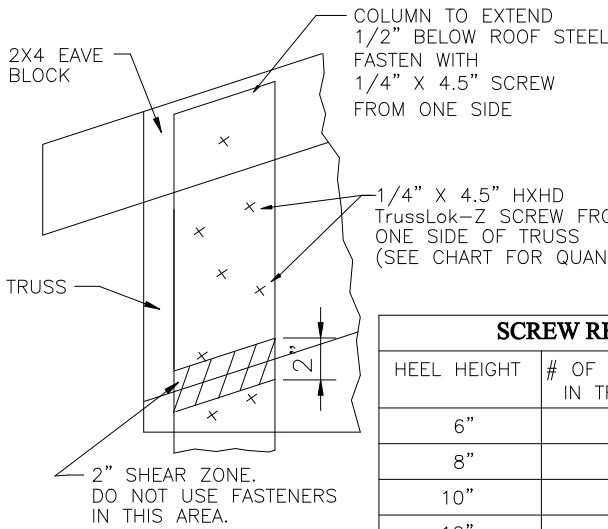


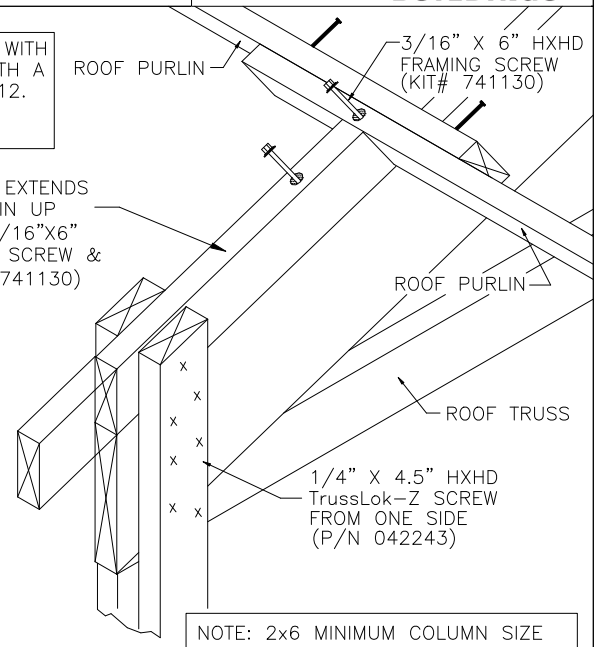
# Truss to Column Connection



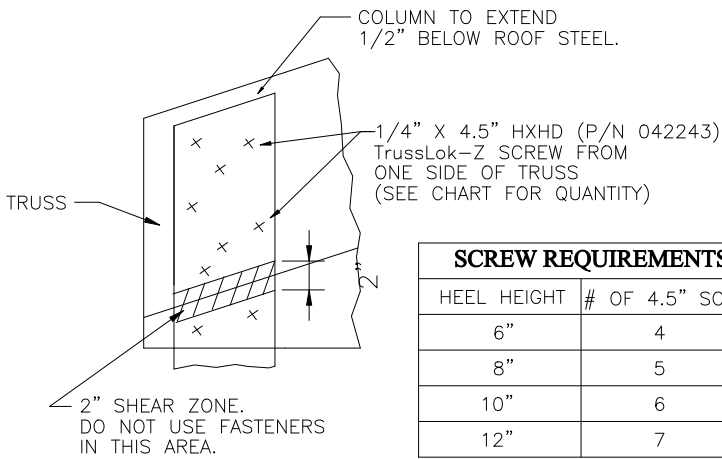
EAVE BLOCKS ONLY REQUIRED WITH OVERHANGS AND BUILDINGS WITH A ROOF PITCH GREATER THAN 4:12. COLUMN EARS ALWAYS EXTEND WITHIN 1/2" OF ROOF STEEL

2X4 EAVE BLK EXTENDS TO FIRST PURLIN UP FASTEN WITH 3/16"X6" FRAMING WOOD SCREW & WASHER (KIT #741130)

SCREW REQUIREMENTS		
HEEL HEIGHT	# OF 4.5" SCREWS IN TRUSS HEEL	TOTAL WITH EAVE BLOCKS
6"	5	6
8"	7	8
10"	8	9
12"	9	10

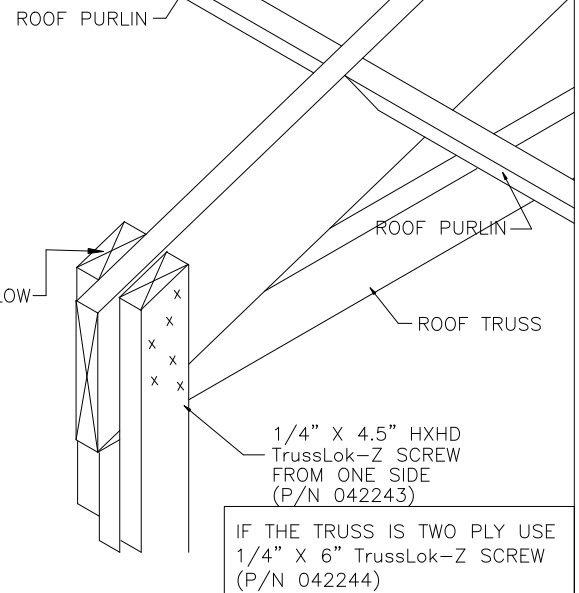


TRUSS TO COLUMN - TOP MOUNT PURLINS

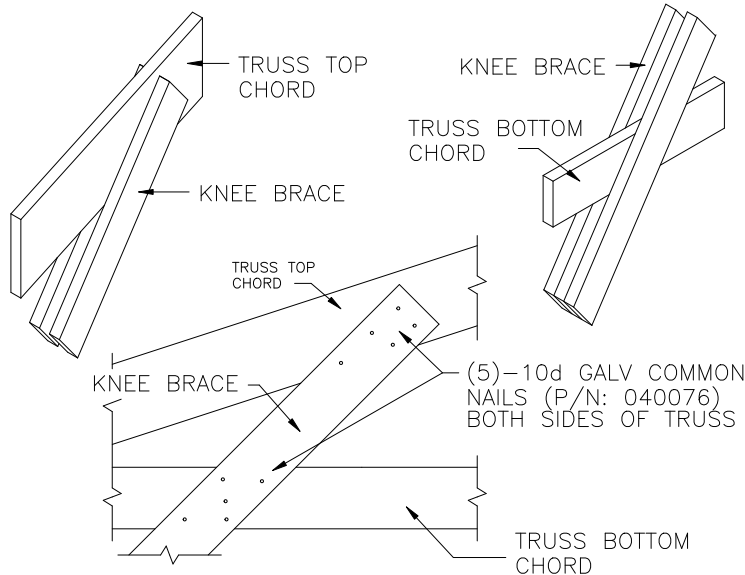


SCREW REQUIREMENTS	
HEEL HEIGHT	# OF 4.5" SCREWS
6"	4
8"	5
10"	6
12"	7

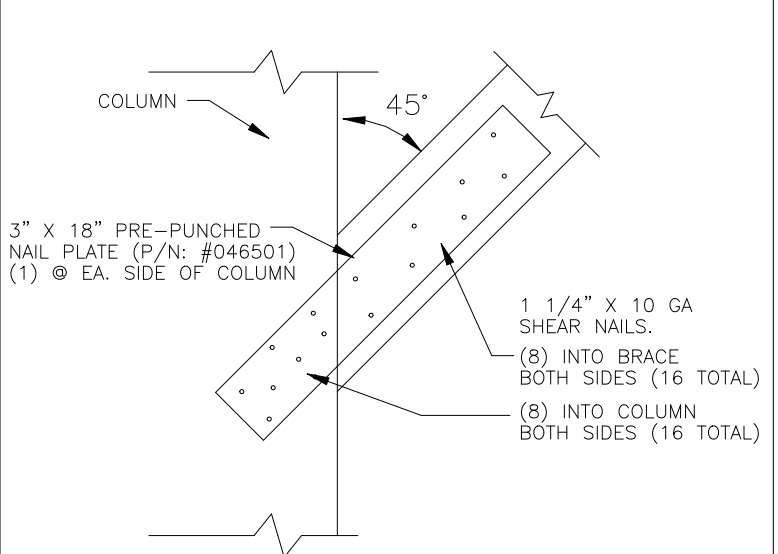
COLUMN 1/2" BELOW ROOF STEEL



TRUSS TO COLUMN - FLUSH MOUNT PURLINS



KNEEBRACE TO TRUSS



KNEEBRACE TO COLUMN