

LINEAR INTERIOR SYSTEMS

20 ALEX AVENUE,
WOODBIDGE, ON.



CLIENT INFORMATION:

	TRACKS	NO.
1		
2		
3		
4		
5		
6		

PROJECT INFORMATION:

UNIVERSAL SLIDING

ADDRESS :

DATE DESIGN BY

August-10-23

SCALE SHEET NO

PURCHASING CONTRACTOR / INSTALLER / DISTRIBUTOR

SIGNED APPROVAL FOR FABRICATION

BY SIGNING BELOW PURCHASING CONTRACTOR /
INSTALLER / DISTRIBUTOR AGREES TO LINEAR INTERIOR
SYSTEMS FABRICATION AS NOTED IN THIS SUBMITTAL
DESIGN PACKAGE



CONTRACTOR / INSTALLER / DISTRIBUTOR IS
RESPONSIBLE FOR CONFIRMING AND CORRELATING ALL
NECESSARY DOCUMENTS BEFORE SIGNING.

YOU ARE RESPONSIBLE FOR PROVING RIGHT
DIMENSIONS AND REAL CONDITIONS BEFORE
PRODUCT DESIGN OR BEFORE SIGNING THIS INFORM US IF
YOU NEED ANY CHANGES IN DESIGN.

ANY CHANGES / ADDITIONS TO THIS SUBMITTAL
MAY BE SUBJECT TO EXTENDED LEAD TIMES AND
ADDITIONAL COSTS.

BY: _____ **DATE:** _____

ARCHITECT/DESIGNER STAMP

GENERAL NOTES

1. THESE DRAWINGS ARE TO BE READ IN CONJUNCTION WITH ALL OTHER LINEAR DOCUMENTS.
2. INSTALL FRAMING WITH BOTH APPROVED SHOP DRAWINGS AND INSTALLATION INSTRUCTIONS. IF ANYTHING MISSING WITH THE PRODUCT SHIPMENT CONTACT LINEAR.
- 3.LINEAR SHOP DRAWINGS MUST BE APPROVED BEFORE PRODUCTION.
4. SPECIAL REQUIREMENTS OTHER THAN AVAILABLE DESIGNS MAY TAKE EXTENDED TIME FOR FABRICATION AND OTHER PROCESSES.
5. MOST OF THE HARDWARE FACTORY INSTALLED INDOORS OTHER HARDWARE WHICH NEEDS TO BE INSTALLED ON-SITE PLEASE CHECK THE DRAWINGS AND WEBSITE FOR INSTRUCTIONS.
6. BY APPROVING LINEAR SHOP DRAWINGS THE CUSTOMER IS RESPONSIBLE FOR SCOPES AND AGREEING THAT ALL ITEMS IN THE SHOP DRAWING ARE AS REQUIRED BY ARCHITECT/DESIGN INTENT.

JOB SPECIFIC AND IMPORTANT NOTES - (ACTION REQUIRED)

1. PLEASE CONFIRM THE FOLLOWING:
 - GLASS THICKNESS
 - GLASS TYPE
 - FRAME FINISH
2. PLEASE CONFIRM IF DOORS IN SHOP DRAWING ARE PART OF SCOPE OF WORK.



CLIENT INFORMATION:

	TRACKS	NO.
1		
2		
3		
4		
5		
6		

PROJECT INFORMATION:
UNIVERSAL SLIDING

ADRESS :

DATE DESIGN BY
August-10-23

SCALE SHEET NO

DOOR DETAILS AND GLASS SPECIFICATIONS

GLAZING INFORMATION			
TYPE	ITEM	DESCRIPTION	NOTES
LAMINATED GLASS	TYPE	CLEAR / FROSTED / SUPERWHITE	
	THICKNESS	6 MM	
	LOCATIONS	ALL GLASS DOOR	

HARDWARE INFORMATION			
TYPE	ITEM	DESCRIPTION	NOTES
TRACKS	FRAMES	ANODIZED ALUMINIUM / BLACK	
DOOR	STRIKE	N/A	
	HINGE	N/A	
	HANDLE	STICKEY PULLS	3 OPTIONS



CLIENT INFORMATION:

	TRACKS	NO.
1		
2		
3		
4		
5		
6		

PROJECT INFORMATION:

UNIVERSAL SLIDING

ADDRESS :

DATE DESIGN BY

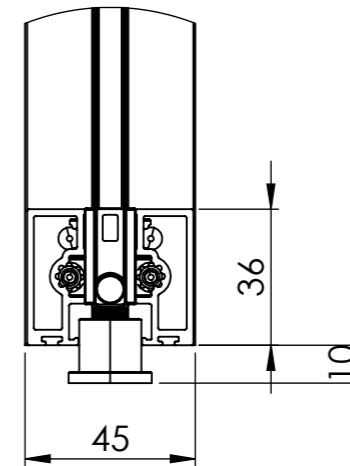
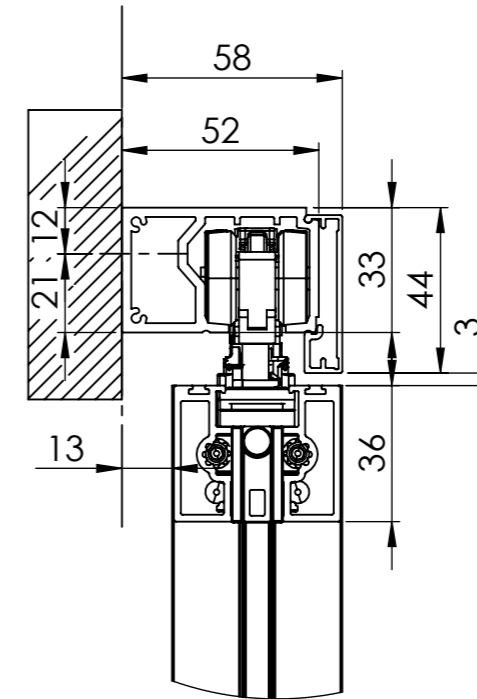
August-10-23

SCALE SHEET NO

UNIVERSAL SYSTEM WALL MOUNT DOOR FOR OPENING 96" X 36"

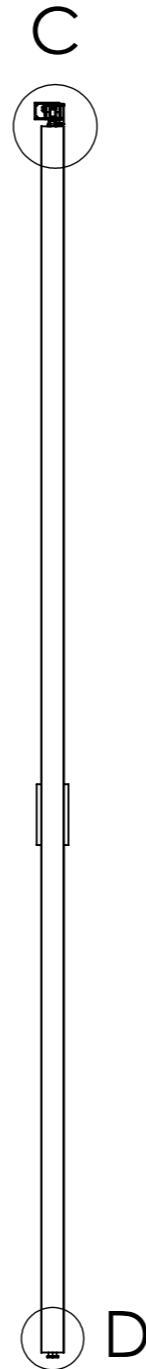
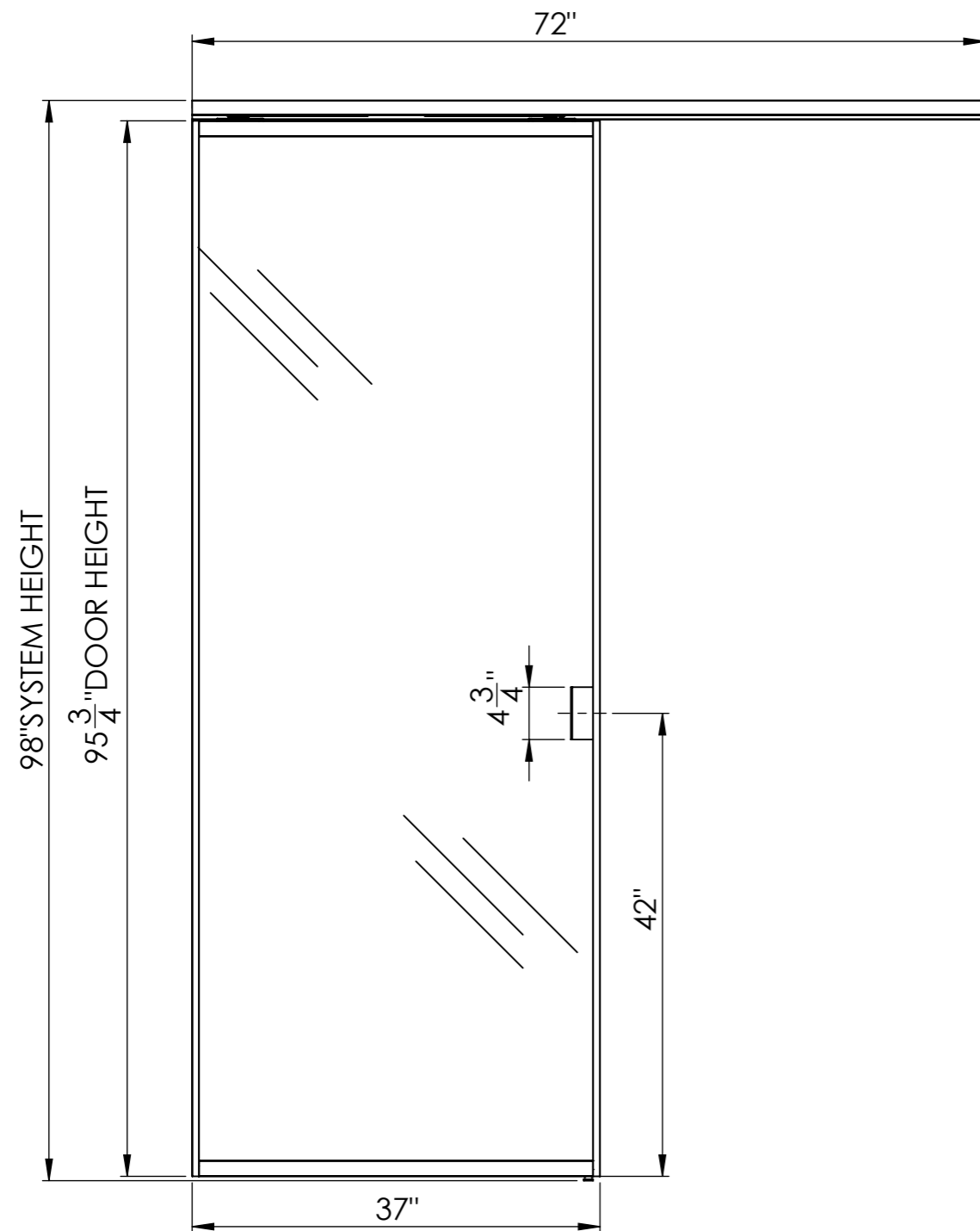
DETAIL C

SCALE 1 : 2



DETAIL D

SCALE 1 : 2



LINEAR
INTERIOR SYSTEMS INC.

CLIENT INFORMATION:

	TRACKS	NO.
1		
2		
3		
4		
5		
6		

PROJECT INFORMATION:

UNIVERSAL SLIDING

ADDRESS :

DATE

DESIGN BY

August-10-23

SCALE

SHEET NO