

LINEAR INTERIOR SYSTEMS

1 Saramia Crescent,
Concord ON L4K 3S6



CLIENT INFORMATION:

| | TRACKS | NO. |
|---|--------|-----|
| 1 | | |
| 2 | | |
| 3 | | |
| 4 | | |
| 5 | | |
| 6 | | |

PROJECT INFORMATION:

130 SERIES SYSTEM

ADDRESS :

DATE DESIGN BY

SCALE SHEET NO

ARCHITECT/DESIGNER STAMP

PURCHASING CONTRACTOR / INSTALLER / DISTRIBUTOR

SIGNED APPROVAL FOR FABRICATION



BY SIGNING BELOW PURCHASING CONTRACTOR /
INSTALLER / DISTRIBUTOR AGREES TO LINEAR INTERIOR
SYSTEMS FABRICATION AS NOTED IN THIS SUBMITTAL
DESIGN PACKAGE

CONTRACTOR / INSTALLER / DISTRIBUTOR IS
RESPONSIBLE FOR CONFIRMING AND CORRELATING ALL
NECESSARY DOCUMENTS BEFORE SIGNING.

YOU ARE RESPONSIBLE FOR PROVING RIGHT
DIMENSIONS AND REAL CONDITIONS BEFORE
PRODUCT DESIGN OR BEFORE SIGNING THIS INFORM US IF
YOU NEED ANY CHANGES IN DESIGN.

ANY CHANGES / ADDITIONS TO THIS SUBMITTAL
MAY BE SUBJECT TO EXTENDED LEAD TIMES AND
ADDITIONAL COSTS.

BY: _____ DATE: _____

GENERAL NOTES

1. THESE DRAWINGS ARE TO BE READ IN CONJUNCTION WITH ALL OTHER LINEAR DOCUMENTS.
2. INSTALL FRAMING WITH BOTH APPROVED SHOP DRAWINGS AND INSTALLATION INSTRUCTIONS. IF ANYTHING MISSING WITH THE PRODUCT SHIPMENT CONTACT LINEAR.
3. LINEAR SHOP DRAWINGS MUST BE APPROVED BEFORE PRODUCTION.
4. SPECIAL REQUIREMENTS OTHER THAN AVAILABLE DESIGNS MAY TAKE EXTENDED TIME FOR FABRICATION AND OTHER PROCESSES.
5. MOST OF THE HARDWARE FACTORY INSTALLED INDOORS OTHER HARDWARE WHICH NEEDS TO BE INSTALLED ON-SITE PLEASE CHECK THE DRAWINGS AND WEBSITE FOR INSTRUCTIONS.
6. BY APPROVING LINEAR SHOP DRAWINGS THE CUSTOMER IS RESPONSIBLE FOR SCOPES AND AGREEING THAT ALL ITEMS IN THE SHOP DRAWING ARE AS REQUIRED BY ARCHITECT/DESIGN INTENT.

JOB SPECIFIC AND IMPORTANT NOTES - (ACTION REQUIRED)

1. PLEASE CONFIRM THE FOLLOWING:

- GLASS THICKNESS
- GLASS TYPE
- FRAME FINISH

2. PLEASE CONFIRM IF DOORS IN SHOP DRAWING ARE PART OF SCOPE OF WORK.

LINEAR
INTERIOR SYSTEMS INC.

CLIENT INFORMATION:

| | TRACKS | NO. |
|---|--------|-----|
| 1 | | |
| 2 | | |
| 3 | | |
| 4 | | |
| 5 | | |
| 6 | | |

PROJECT INFORMATION:

130 SERIES SYSTEM

ADDRESS :

DATE DESIGN BY

SCALE SHEET NO

DOOR DETAILS AND GLASS SPECIFICATIONS



| GLAZING INFORMATION | | | |
|---------------------|-----------|-------------------------------------|-------|
| TYPE | ITEM | DESCRIPTION | NOTES |
| LAMINATED GLASS | TYPE | CLEAR / FROSTED / SUPERWHITE | |
| | THICKNESS | 6 mm | |
| | LOCATIONS | ALL GLASS | |

CLIENT INFORMATION:

| | TRACKS | NO. |
|---|--------|-----|
| 1 | | |
| 2 | | |
| 3 | | |
| 4 | | |
| 5 | | |
| 6 | | |

| HARDWARE INFORMATION | | | |
|----------------------|---------|-------------------------------|-----------------------------------|
| TYPE | ITEM | DESCRIPTION | NOTES |
| TRACKS | FRAMES | CLEAR ANODIZED / BLACK | |
| | ROLLERS | BOTTOM WHEELS | |
| HARDWARE | ROLLERS | 108/T/120 | STANDARD 60 KG ROLLERS FROM TERNO |
| | | | |
| | HANDLE | STILE 263 WITH PULL SLOT | |

PROJECT INFORMATION:

130 SERIES SYSTEM

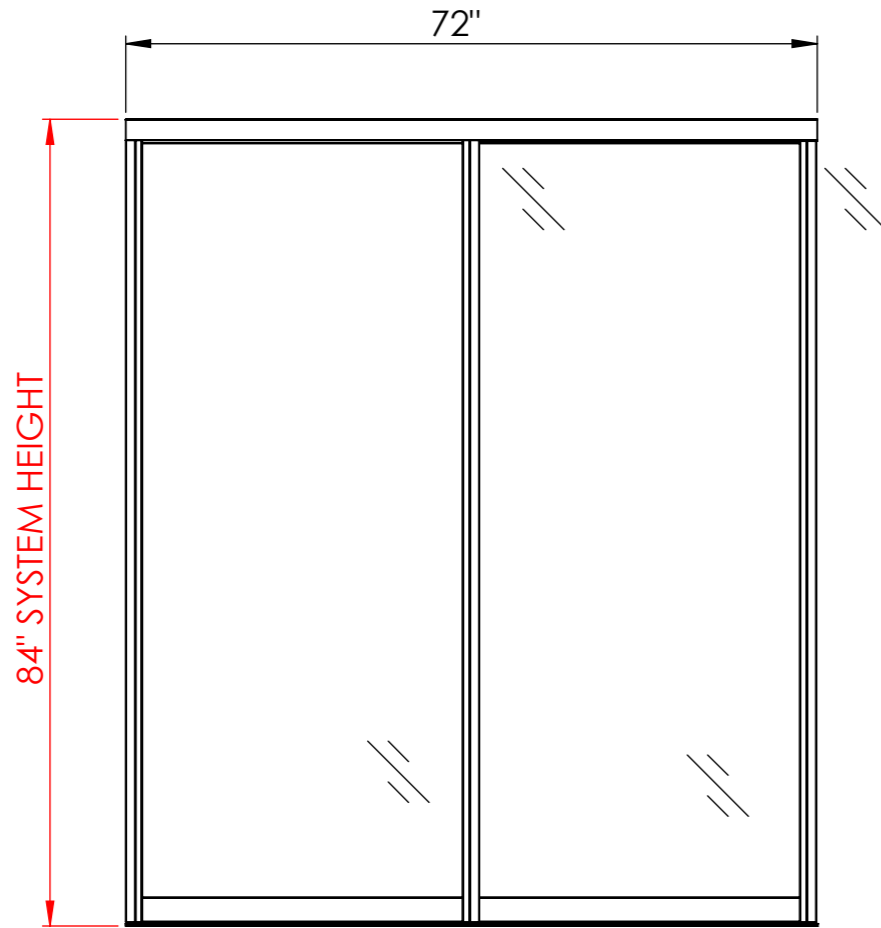
ADDRESS :

DATE DESIGN BY

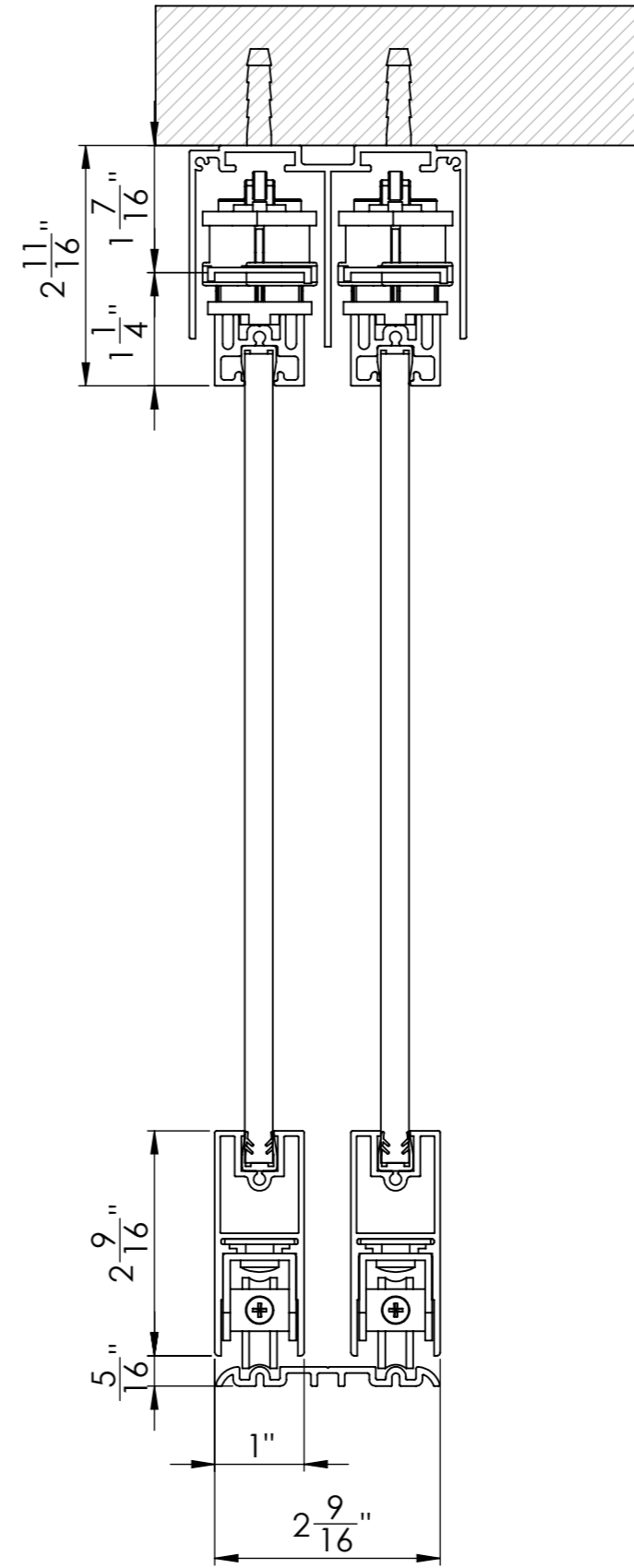
SCALE SHEET NO

130 SERIES SYSTEM FOR OPENING 84" X 72"

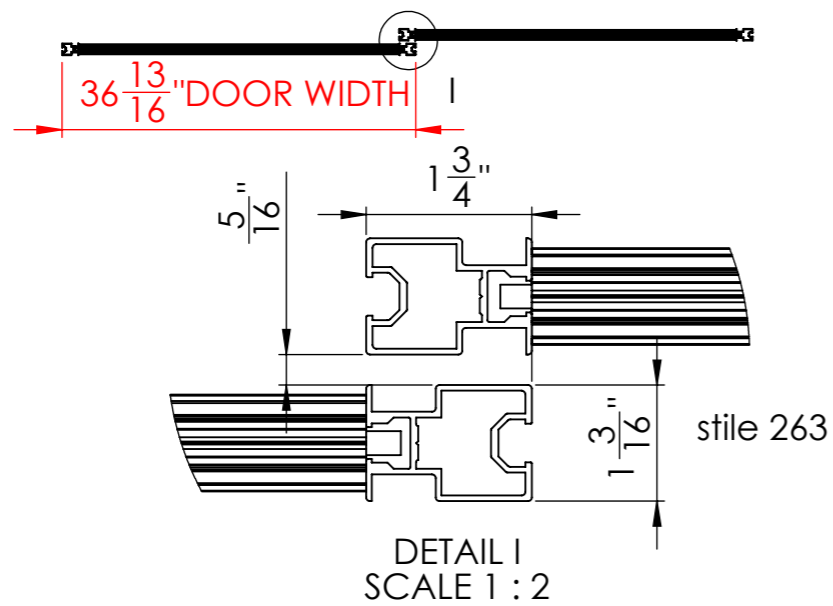
FRONT VIEW



SIDE VIEW



TOP VIEW



LINEAR
INTERIOR SYSTEMS INC.

CLIENT INFORMATION:

PROJECT INFORMATION:

130 SERIES SYSTEM

ADDRESS :

DATE

DESIGN BY

SCALE

SHEET NO