

LINEAR INTERIOR SYSTEMS

1 Saramia Crescent,
Concord ON L4K 3S6



CLIENT INFORMATION:

	TRACKS	NO.
1		
2		
3		
4		
5		
6		

PROJECT INFORMATION:

130 SERIES SYSTEM

ADDRESS :

DATE DESIGN BY

SCALE SHEET NO

PURCHASING CONTRACTOR / INSTALLER / DISTRIBUTOR

SIGNED APPROVAL FOR FABRICATION



BY SIGNING BELOW PURCHASING CONTRACTOR /
INSTALLER / DISTRIBUTOR AGREES TO LINEAR INTERIOR
SYSTEMS FABRICATION AS NOTED IN THIS SUBMITTAL
DESIGN PACKAGE

CONTRACTOR / INSTALLER / DISTRIBUTOR IS
RESPONSIBLE FOR CONFIRMING AND CORRELATING ALL
NECESSARY DOCUMENTS PERIOR TO SIGNING.

YOU ARE RESPOSIBLE FOR PROVING RIGHT
DIMENSIONS AND REAL CONDITION BEFORE
PRODUCT DESIGN OR BEFORE SIGNING THIS IF YOU
NEED ANY CHANGES IN DESIGN.

**ANY CHANGES / ADDITIONS TO THIS SUBMITTAL
MAY BE SUBJECT TO EXTENDED LEAD TIMES AND
ADDITIONAL COSTS.**

BY: _____ DATE: _____

ARCHITECT/DESIGNER STAMP

GENERAL NOTES

1. THESE DRAWINGS ARE TO BE READ IN CONJUNCTION WITH ALL OTHER LINEAR DOCUMENTS.
2. INSTALL FRAMING WITH BOTH APPROVED SHOP DRAWINGS AND INSTALLATION INSTRUCTIONS. IF ANY THING MISSING WITH PRODUCT SHIPMENT CONTACT LINEAR.
3. LINEAR SHOP DRAWINGS MUST BE APPROVED BEFORE PRODUCTION.
4. SPECIAL REQUIREMENTS OTHER THAN AVILABLE DESIGNES MAY TAKE EXTENEDED TIME FOR FABRICATION AND OTHER PROCESS.
5. MOST OF THE HARDWARE FACTORY INSTALLED IN DOORS OTHER HARDWARE WHICH NEEDS TO BE INSTALL ON SITE PLEASE CHECK DRAWINGS AND WEBSITE FOR INSRUCTIONS.
6. BY APPROVING LINEAR SHOP DRAWINGS THE COUSTEMER IS RESPOSIBLE FOR SCOPES AND AGREEING THAT ALL ITEAMS IN SHOP DRAWING ARE AS REQUIRED BY ARCHITECT/DESIGN INTENT.

JOB SPECIFIC AND IMPORTANT NOTES - (ACTION REQUIRED)

1. PLEASE CONFIRM THE FOLLOWING:
 - GLASS THICKNESS
 - GLASS TYPE
 - FRAME FINISH
2. PLEASE CONFIRM IF DOORS IN SHOP DRAWING ARE PART OF SCOPE OF WORK.

CLIENT INFORMATION:

	TRACKS	NO.
1		
2		
3		
4		
5		
6		

PROJECT INFORMATION:

130 SERIES SYSTEM

ADRESS :

DATE DESIGN BY

SCALE SHEET NO

DOOR DETAILS AND GLASS SPECIFICATIONS

GLAZING INFORMATION			
TYPE	ITEM	DESCRIPTION	NOTES
LAMINATED GLASS	TYPE	CLEAR / FROSTED / SUPERWHITE	
	THICKNESS	6 MM	
	LOCATIONS	ALL GLASS DOOR	

HARDWARE INFORMATION			
TYPE	ITEM	DESCRIPTION	NOTES
TRACKS	FRAMES	CLEAR ANODIZED ALUMINIUM / BLACK	
	ROLLERS	BOTTOM ROLL - 275	
DOOR	STRIKE	N/A	
	HINGE	N/A	
	HANDLE	HAND PULL STILES	



CLIENT INFORMATION:

	TRACKS	NO.
1		
2		
3		
4		
5		
6		

PROJECT INFORMATION:

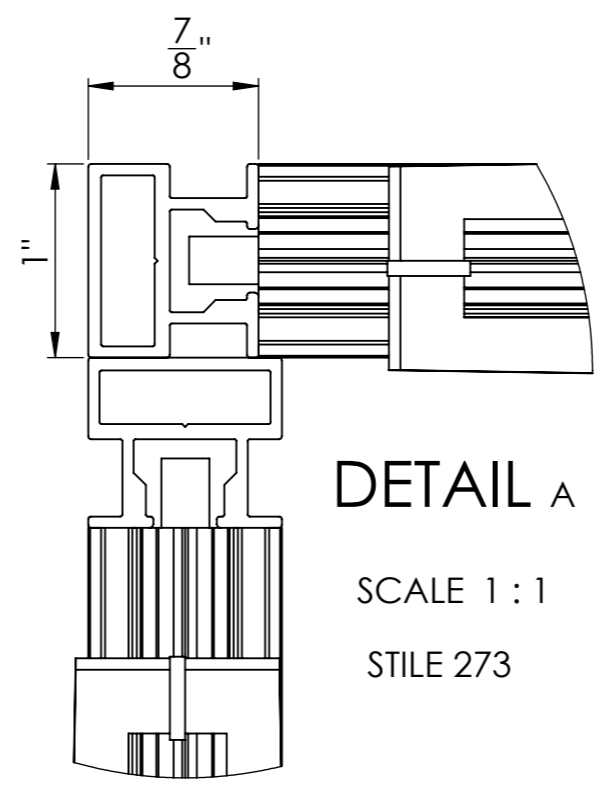
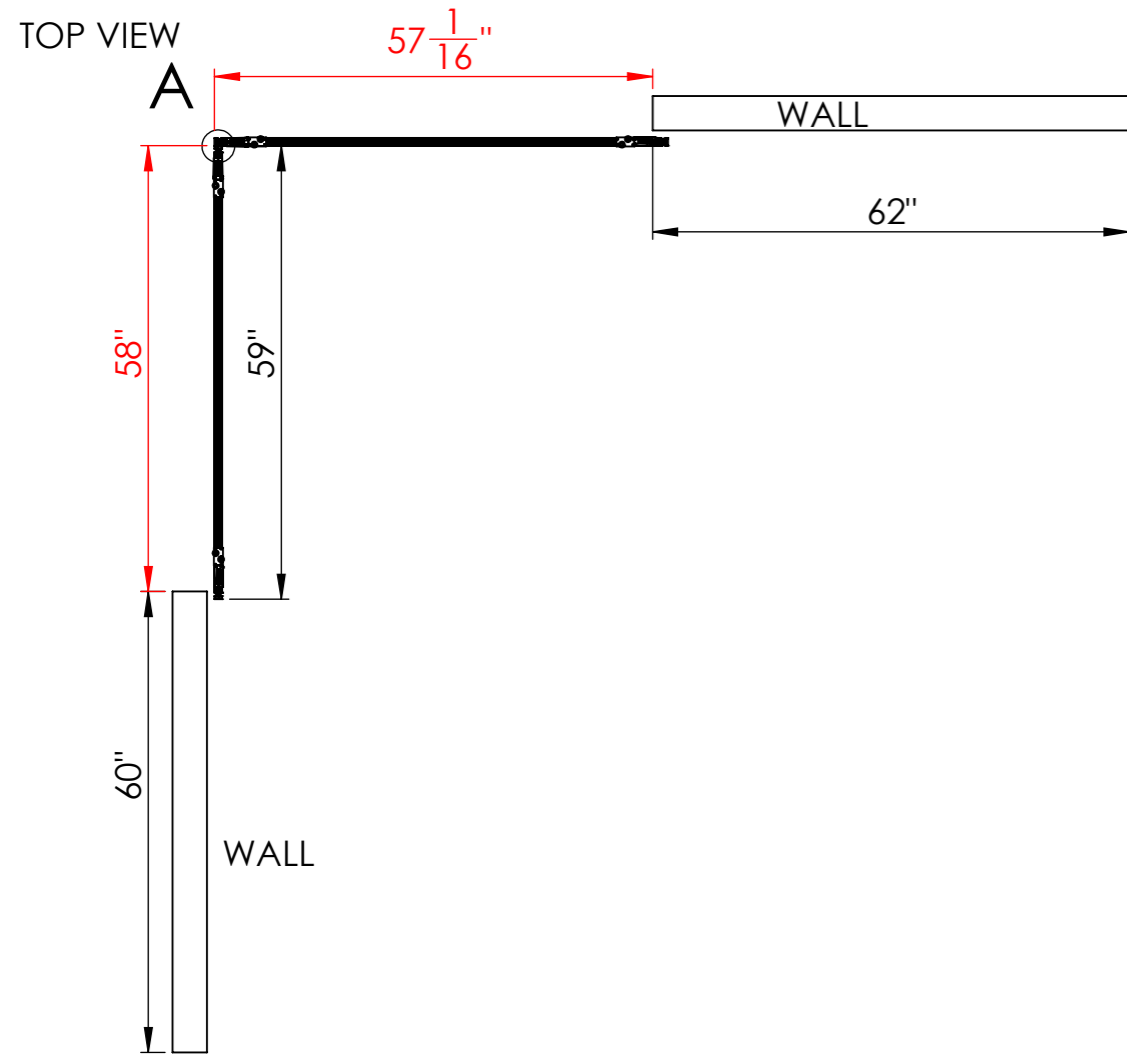
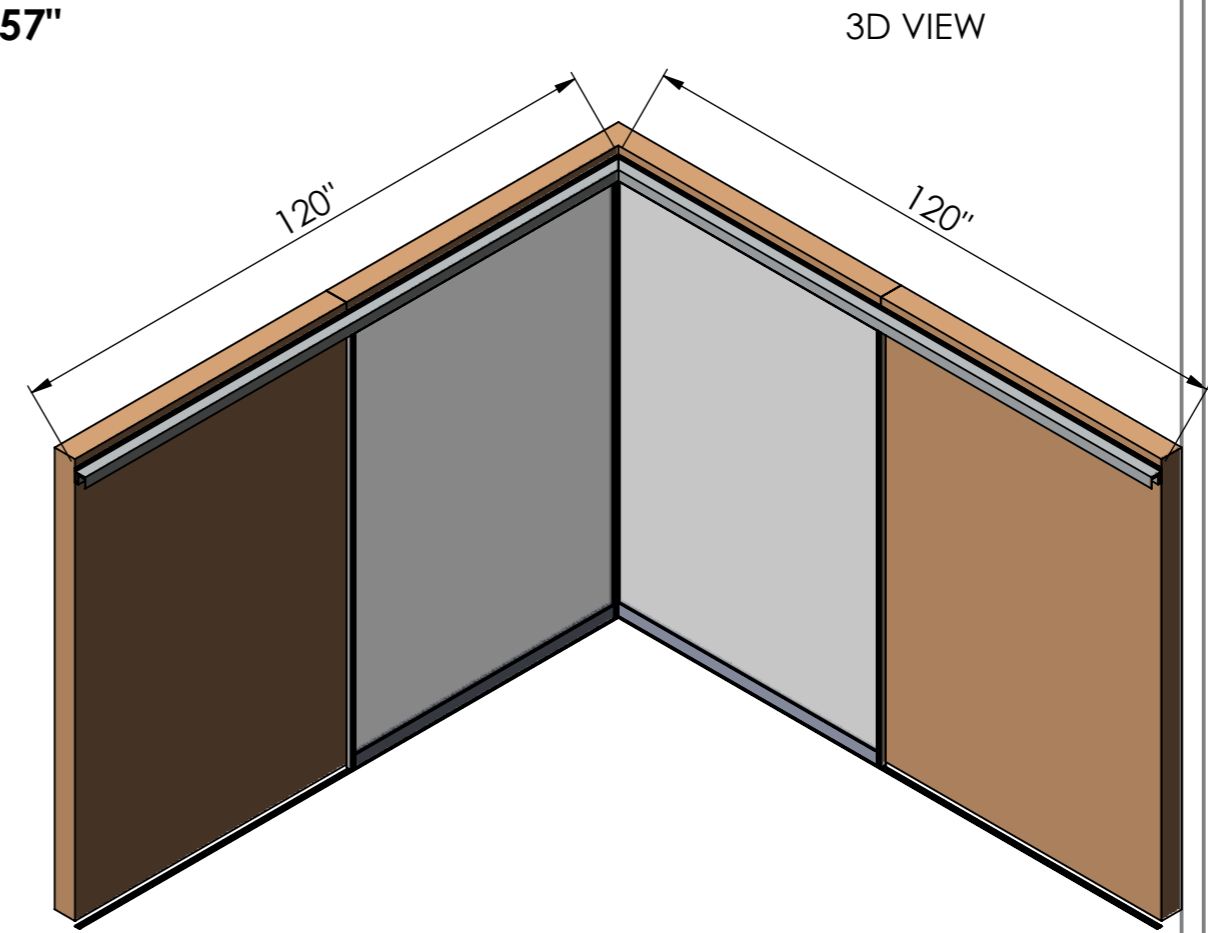
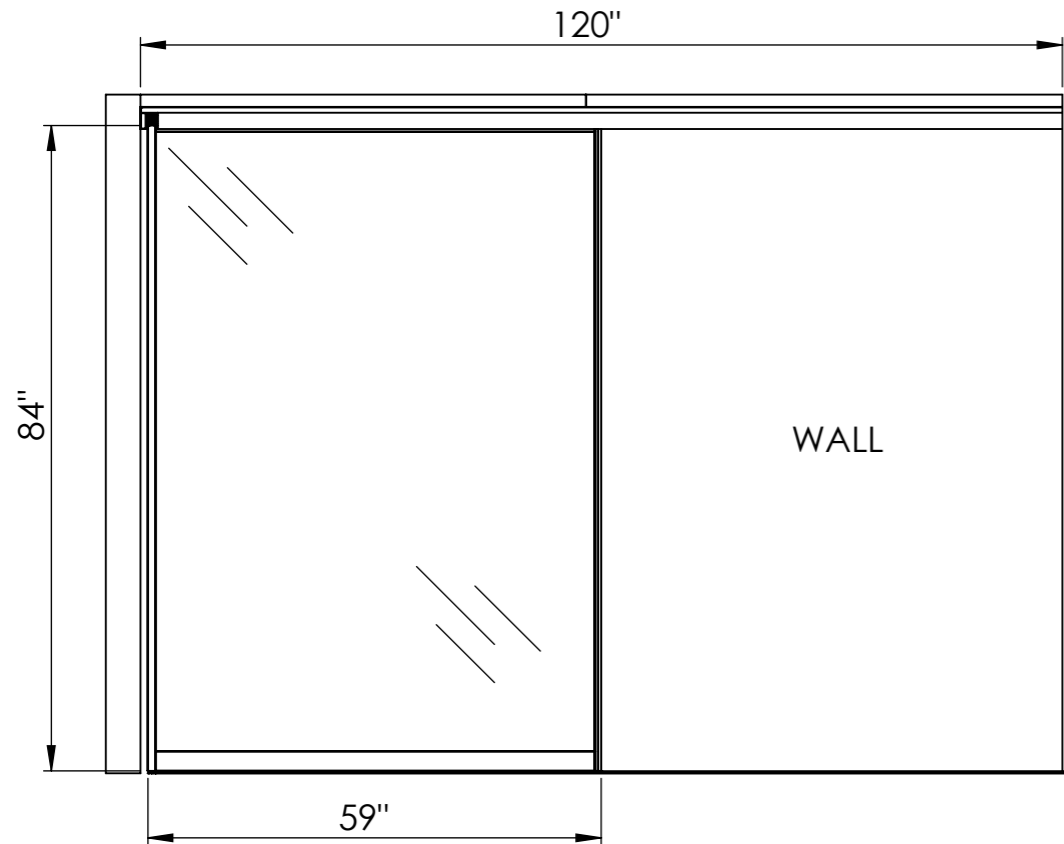
130 SERIES SYSTEM

ADDRESS :

DATE DESIGN BY

SCALE SHEET NO

130 SERIES WALL MOUNT SYSTEM - CORNER OPENINGS 84" x 57"



CLIENT INFORMATION:

	TRACKS	NO.
1		
2		
3		
4		
5		
6		

PROJECT INFORMATION:

130 SERIES SYSTEM

ADDRESS :

DATE DESIGN BY

SCALE SHEET NO

ALL DIMENSIONS IN INCHES.

SIDE VIEW

FINISHED CEILING

INDEPENDANT OF
CELLING LEVEL

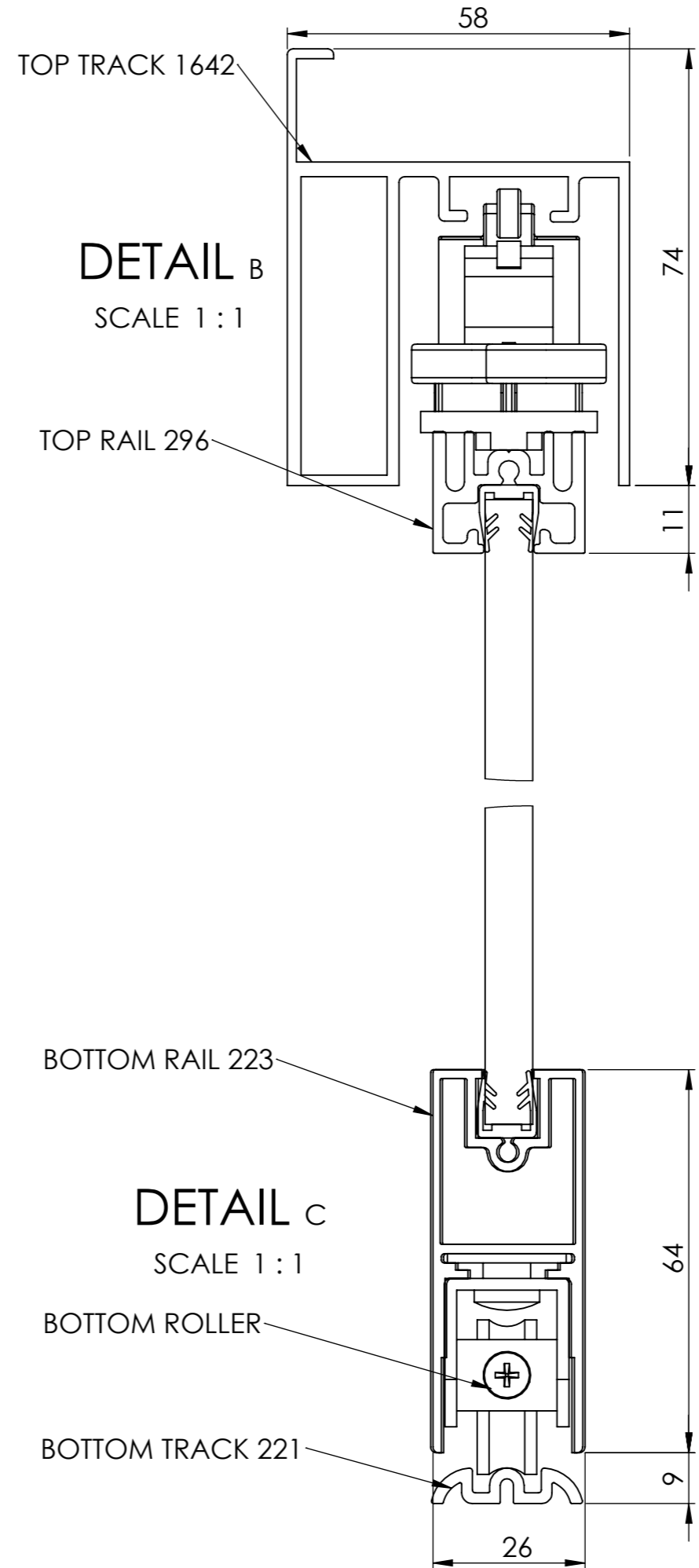
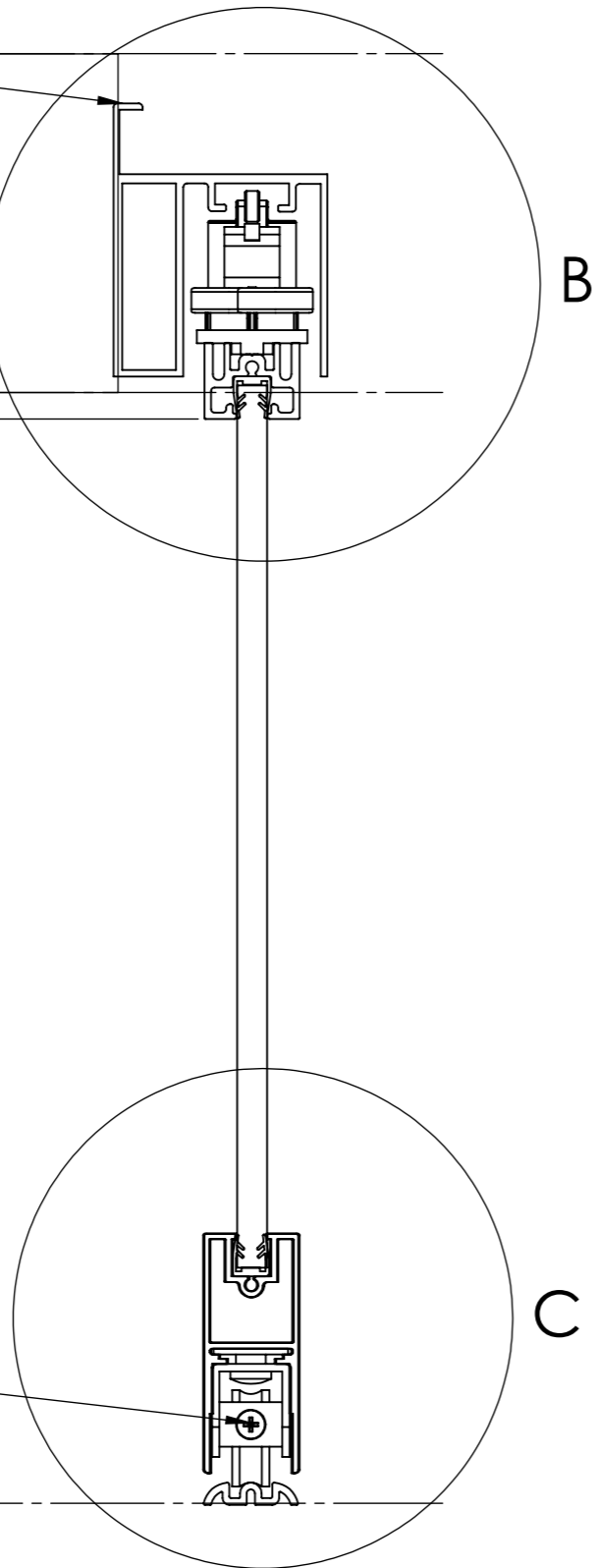
MINIMUM SPACING
REQUIRE ABOVE OPENING
WITH HEAVY STRUCTURE
INSIDE TO HOLD MOUNTED
TRACK

AVILABLE EXTRA
ADJUSTMENT IN SIDE MOUNT

DOOR OPENING HEIGHT

ADJUSTMENT IN ROLLER 1/2"

FINISHED FLOORING



CLIENT INFORMATION:

	TRACKS	NO.
1		
2		
3		
4		
5		
6		

PROJECT INFORMATION:

130 SERIES SYSTEM

ADDRESS :

DATE DESIGN BY

SCALE SHEET NO