

LINEAR INTERIOR SYSTEMS

20 ALEX AVENUE,
WOODBIDGE, ON.



CLIENT INFORMATION:

	TRACKS	NO.
1		
2		
3		
4		
5		
6		

PROJECT INFORMATION:

MAGIC 2 SYSTEM

ADDRESS :

DATE DESIGN BY

RAVI

SCALE SHEET NO

PURCHASING CONTRACTOR / INSTALLER / DISTRIBUTOR

SIGNED APPROVAL FOR FABRICATION

BY SIGNING BELOW PURCHASING CONTRACTOR /
INSTALLER / DISTRIBUTOR AGREES TO LINEAR INTERIOR
SYSTEMS FABRICATION AS NOTED IN THIS SUBMITTAL
DESIGN PACKAGE



CONTRACTOR / INSTALLER / DISTRIBUTOR IS
RESPONSIBLE FOR CONFIRMING AND CORRELATING ALL
NECESSARY DOCUMENTS BEFORE SIGNING.

YOU ARE RESPONSIBLE FOR PROVING RIGHT
DIMENSIONS AND REAL CONDITIONS BEFORE
PRODUCT DESIGN OR BEFORE SIGNING THIS INFORM US IF
YOU NEED ANY CHANGES IN DESIGN.

ANY CHANGES / ADDITIONS TO THIS SUBMITTAL
MAY BE SUBJECT TO EXTENDED LEAD TIMES AND
ADDITIONAL COSTS.

BY: _____ DATE: _____

ARCHITECT/DESIGNER STAMP

GENERAL NOTES

1. THESE DRAWINGS ARE TO BE READ IN CONJUNCTION WITH ALL OTHER LINEAR DOCUMENTS.
2. INSTALL FRAMING WITH BOTH APPROVED SHOP DRAWINGS AND INSTALLATION INSTRUCTIONS. IF ANYTHING MISSING WITH THE PRODUCT SHIPMENT CONTACT LINEAR.
3. LINEAR SHOP DRAWINGS MUST BE APPROVED BEFORE PRODUCTION.
4. SPECIAL REQUIREMENTS OTHER THAN AVAILABLE DESIGNS MAY TAKE EXTENDED TIME FOR FABRICATION AND OTHER PROCESSES.
5. MOST OF THE HARDWARE FACTORY INSTALLED INDOORS OTHER HARDWARE WHICH NEEDS TO BE INSTALLED ON-SITE PLEASE CHECK THE DRAWINGS AND WEBSITE FOR INSTRUCTIONS.
6. BY APPROVING LINEAR SHOP DRAWINGS THE CUSTOMER IS RESPONSIBLE FOR SCOPES AND AGREEING THAT ALL ITEMS IN THE SHOP DRAWING ARE AS REQUIRED BY ARCHITECT/DESIGN INTENT.

JOB SPECIFIC AND IMPORTANT NOTES - (ACTION REQUIRED)

1. PLEASE CONFIRM THE FOLLOWING:

- GLASS THICKNESS
- GLASS TYPE
- FRAME FINISH

2. PLEASE CONFIRM IF DOORS IN SHOP DRAWING ARE PART OF SCOPE OF WORK.



CLIENT INFORMATION:	
---------------------	--

	TRACKS	NO.
1		
2		
3		
4		
5		
6		

PROJECT INFORMATION:

MAGIC 2 SYSTEM

ADDRESS :

DATE	DESIGN BY
------	-----------

SCALE	SHEET NO
-------	----------

DOOR DETAILS AND GLASS SPECIFICATIONS



GLAZING INFORMATION			
TYPE	ITEM	DESCRIPTION	NOTES
LAMINATED GLASS	TYPE	CLEAR / FROSTED / SUPERWHITE	GLASS WITH WEIGHT MORE THAN 80KG PROVIDED WITH SILICONE FITTING OR REQUESTED FOR SILICONE
	THICKNESS	6 MM	
	LOCATIONS	ALL GLASS DOOR	

CLIENT INFORMATION:

HARDWARE INFORMATION			
TYPE	ITEM	DESCRIPTION	NOTES
TRACKS	FRAMES	BLACK FINISHED	
DOOR	STOPPER	NOT ATTACHED TO DOORS	
	ROLLER	MAGIC 2 SYSTEM	
	HANDLE	STICKEY PULLS	3 OPTIONS

	TRACKS	NO.
1		
2		
3		
4		
5		
6		

PROJECT INFORMATION:

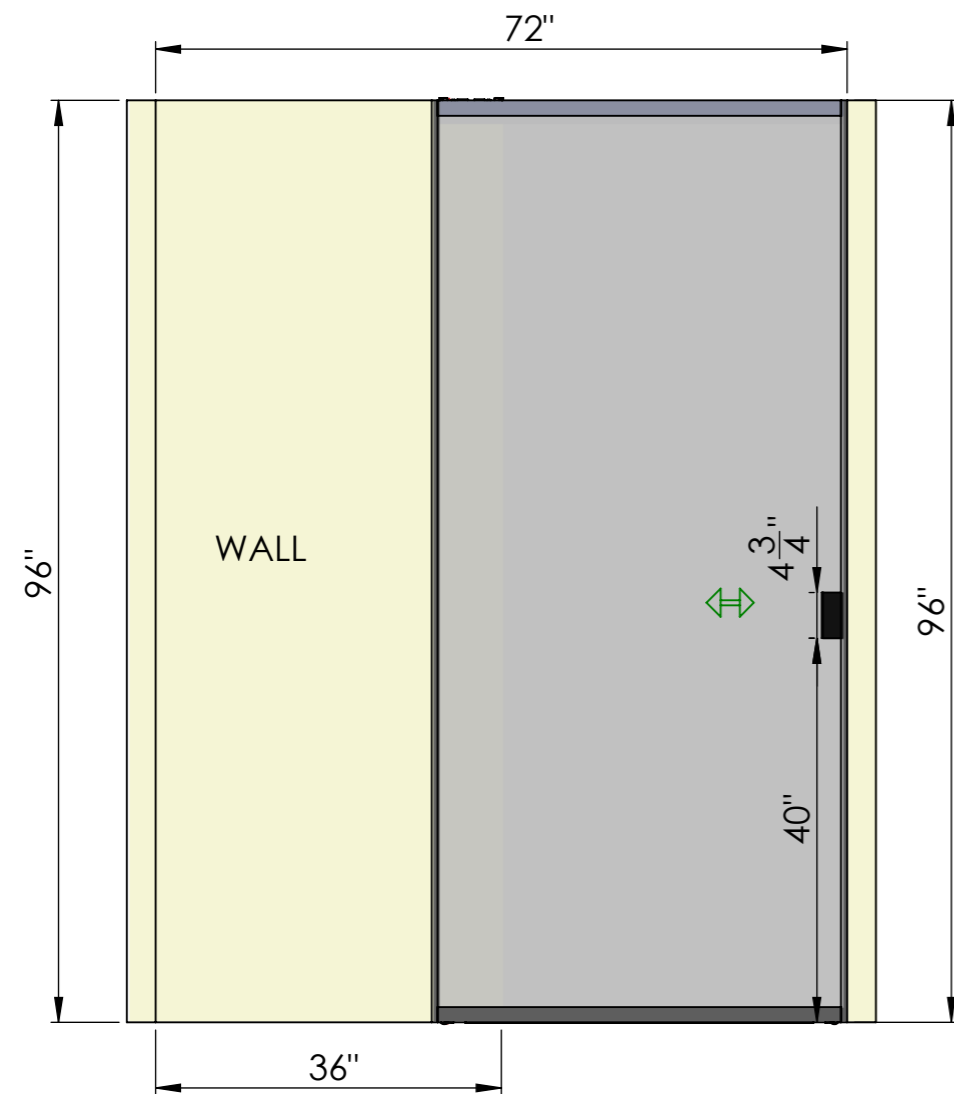
MAGIC 2 SYSTEM

ADDRESS :

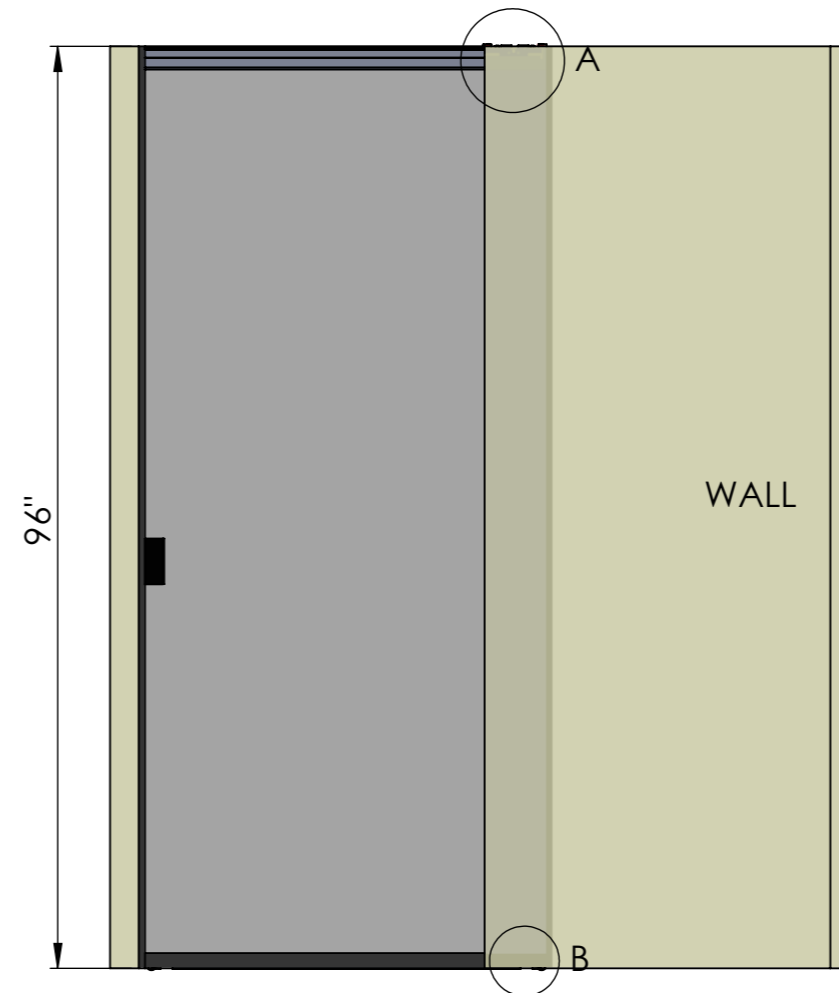
DATE DESIGN BY

SCALE SHEET NO

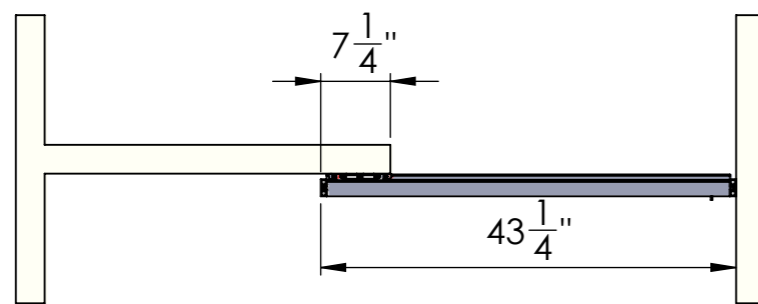
FRONT VIEW



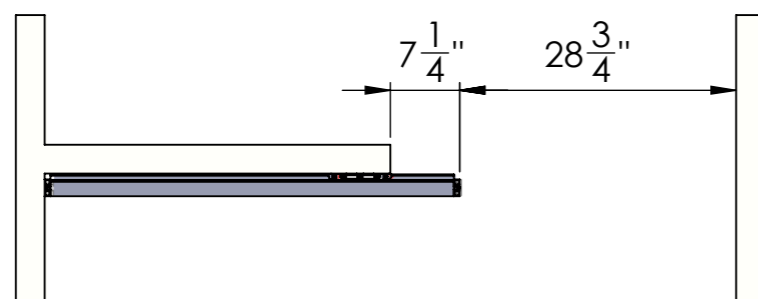
BACK VIEW



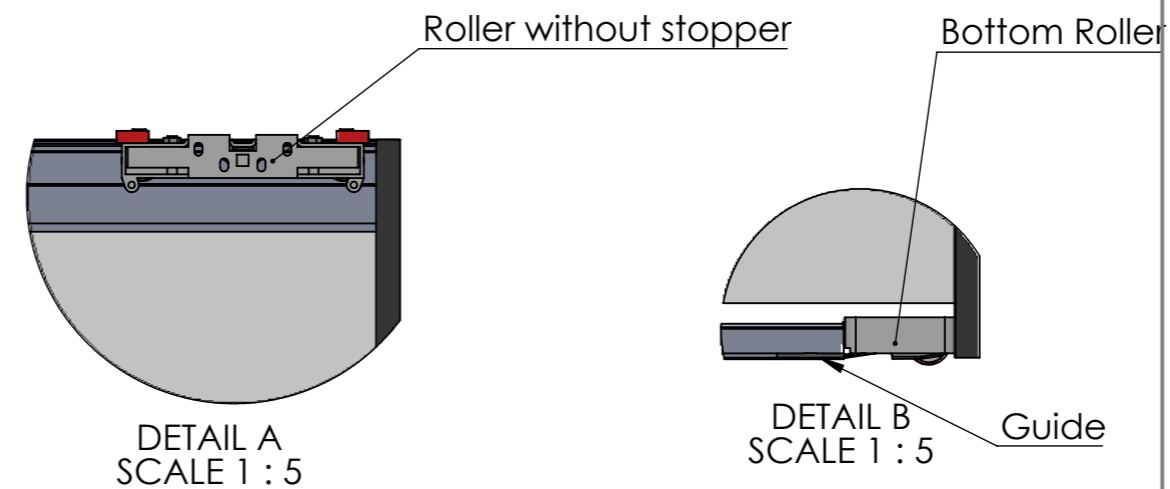
TOP VIEW



CLOSED CONDITION



OPEN CONDITION STANDARD INSTALLATION



CLIENT INFORMATION:

	TRACKS	NO.
1		
2		
3		
4		
5		
6		

PROJECT INFORMATION:

MAGIC 2 SYSTEM

ADDRESS :

DATE DESIGN BY

SCALE SHEET NO