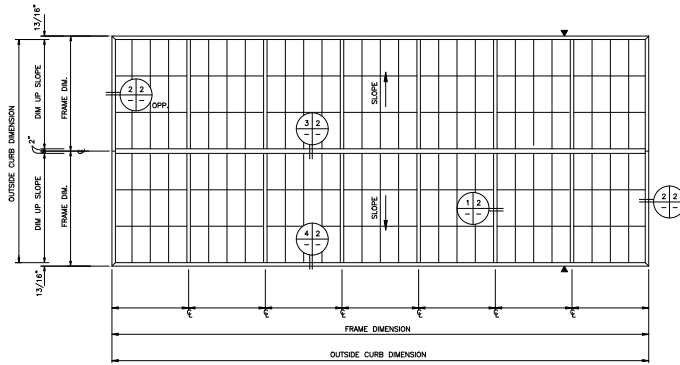




SHEET 1 OF 2

### PLAN VIEW NOT TO SCALE



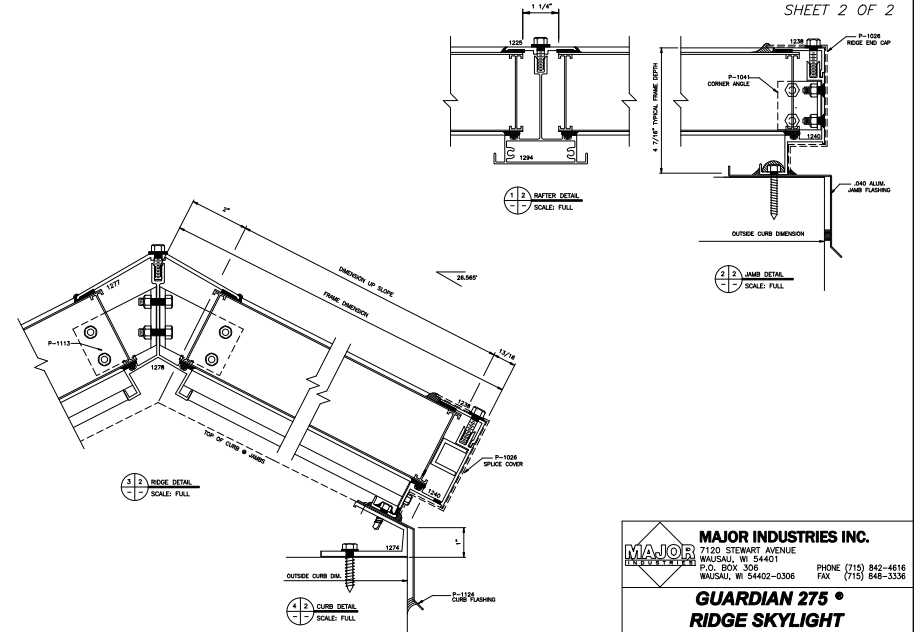
Ø INDICATES 1/4" DIMENSION OR (1/4) LENGTHS > 24"-Ø"

**MAJOR INDUSTRIES INC.**  
 7120 STEWART AVENUE  
 WAUSAU, WI 54401  
 P.O. BOX 306  
 WAUSAU, WI 54402-0306  
 PHONE (715) 842-4616  
 FAX (715) 846-3336

**GUARDIAN 275<sup>®</sup>**  
**RIDGE SKYLIGHT**



SHEET 2 OF 2



**MAJOR INDUSTRIES INC.**  
 7120 STEWART AVENUE  
 WAUSAU, WI 54401  
 P.O. BOX 306  
 WAUSAU, WI 54402-0306  
 PHONE (715) 842-4616  
 FAX (715) 846-3336

**GUARDIAN 275<sup>®</sup>**  
**RIDGE SKYLIGHT**