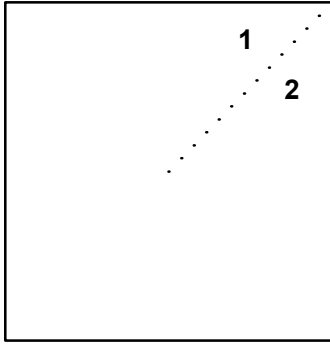
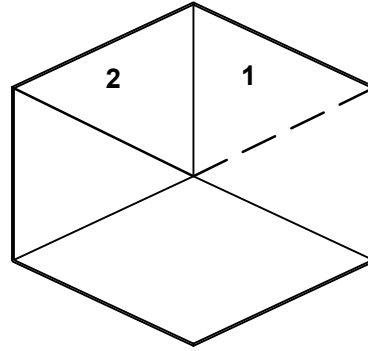


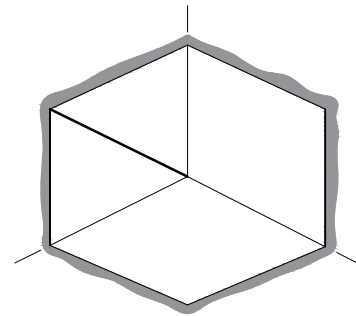
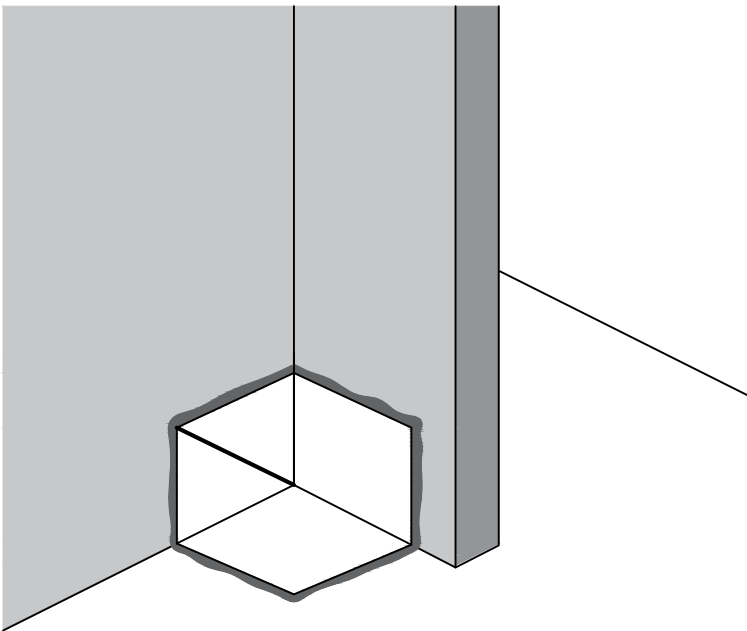
INSIDE CORNER REINFORCEMENT FLASHING



CUT FLEECE INTO APPROX. 2" SQUARES, THEN CUT FROM CORNER TO MIDDLE OF SQUARE



FOLD FLAP '2' OVER FLAP '1' CREATING AN 'INSIDE CORNER' OF FLEECE MATERIAL



CLEAN AND ABRABE SURFACES; WIPE WITH ACETONE; INSTALL PRIMER; APPLY EZ SEAL NON-FIBERED PMMA RESIN TO CORNER AND SET 'INSIDE CORNER' FLASHING IN RESIN*

* IT IS RECOMMENDED EZ SEAL CORNER REINFORCEMENT BE ALLOWED TO CURE TO A TACKY CONSISTENCY BEFORE PROCEEDING WITH EZ SEAL FLASHING APPLICATION.

EZ SEAL 1



Rev. 3/18

PROJECT NAME:

ADDRESS:

OWNER:

DATE:

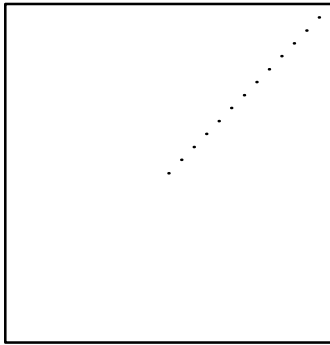
SCALE: NOT TO SCALE

PROJECT NO:

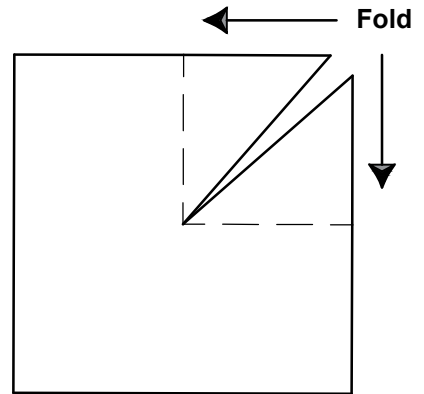
DRAWING NO. :

SUBMITTAL NO. :

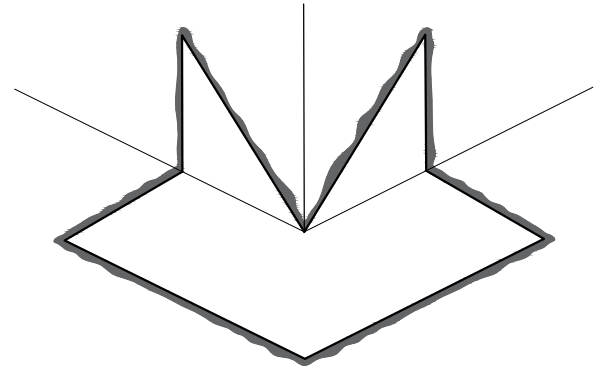
OUTSIDE CORNER REINFORCEMENT FLASHING



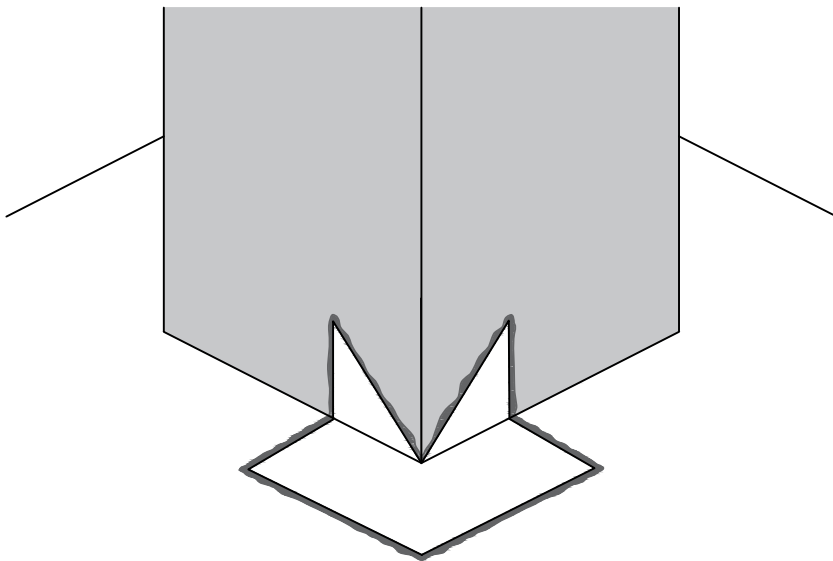
CUT FLEECE INTO APPROX. 2" SQUARES, THEN CUT FROM CORNER TO MIDDLE OF SQUARE



FOLD FLAPS UP CREATING AN 'OUTSIDE CORNER' OF FLEECE MATERIAL



CLEAN AND ABRABE SURFACES; WIPE WITH ACETONE; INSTALL PRIMER; APPLY EZ SEAL NON-FIBERED PMMA RESIN TO CORNER AND SET 'OUTSIDE CORNER' FLASHING IN RESIN*



*** IT IS RECOMMENDED EZ SEAL CORNER REINFORCEMENT BE ALLOWED TO CURE TO A TACKY CONSISTENCY BEFORE PROCEEDING WITH EZ SEAL FLASHING APPLICATION.**

EZ SEAL 1A



Rev. 3/18

PROJECT NAME:

ADDRESS:

OWNER:

DATE:

SCALE: NOT TO SCALE

PROJECT NO:

DRAWING NO. :

SUBMITTAL NO. :