

PIPE PENETRATION FLASHING

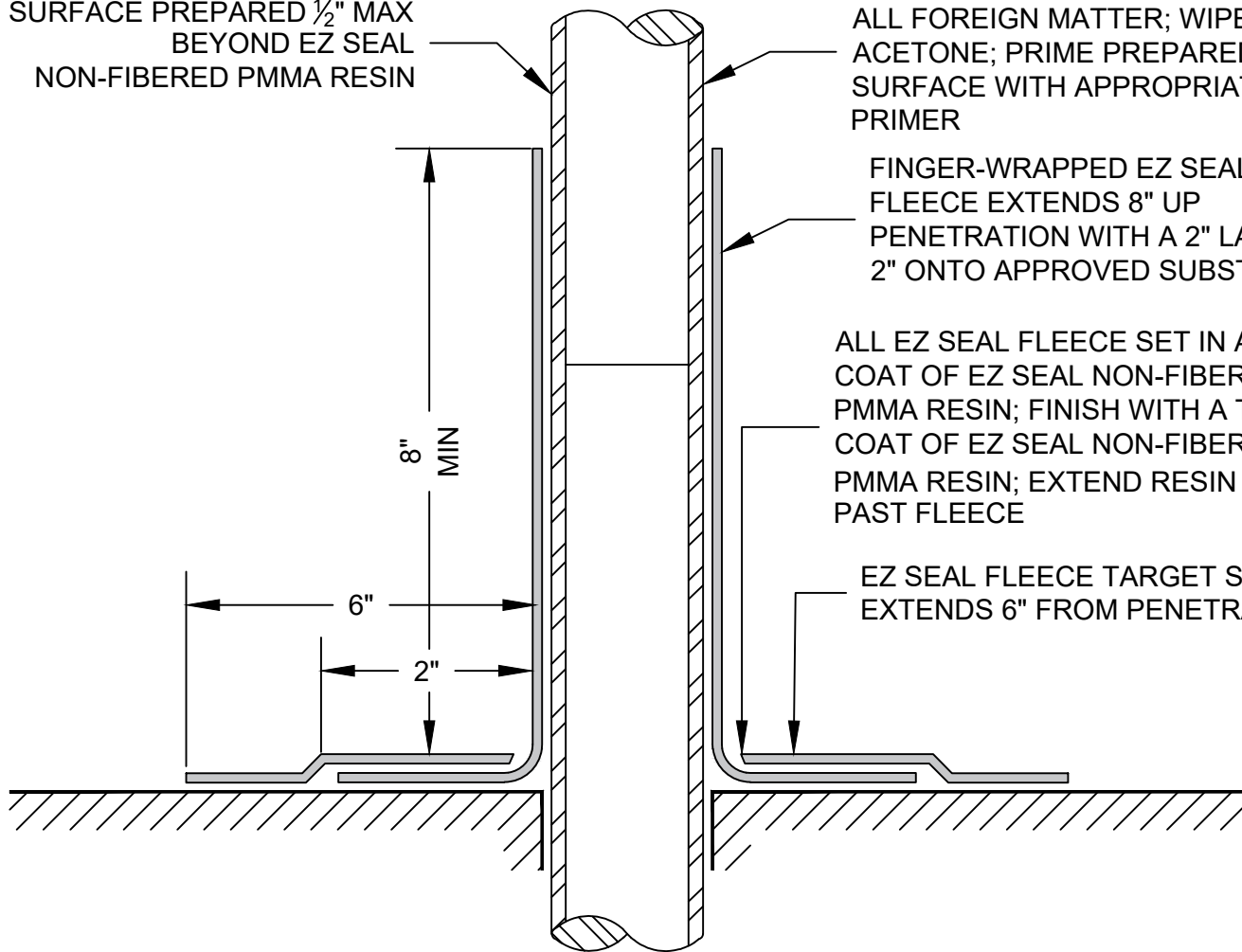
SURFACE PREPARED $\frac{1}{2}$ " MAX
BEYOND EZ SEAL
NON-FIBERED PMMA RESIN

CLEAN AND ABRABE, REMOVING
ALL FOREIGN MATTER; WIPE WITH
ACETONE; PRIME PREPARED
SURFACE WITH APPROPRIATE
PRIMER

FINGER-WRAPPED EZ SEAL
FLEECE EXTENDS 8" UP
PENETRATION WITH A 2" LAP;
2" ONTO APPROVED SUBSTRATE

ALL EZ SEAL FLEECE SET IN A BASE
COAT OF EZ SEAL NON-FIBERED
PMMA RESIN; FINISH WITH A TOP
COAT OF EZ SEAL NON-FIBERED
PMMA RESIN; EXTEND RESIN $\frac{1}{4}$ " - $\frac{1}{2}$ "
PAST FLEECE

EZ SEAL FLEECE TARGET SHEET
EXTENDS 6" FROM PENETRATION



EZ SEAL 2



Rev. 3/18

PROJECT NAME:

ADDRESS:

OWNER:

DATE:

SCALE: NOT TO SCALE

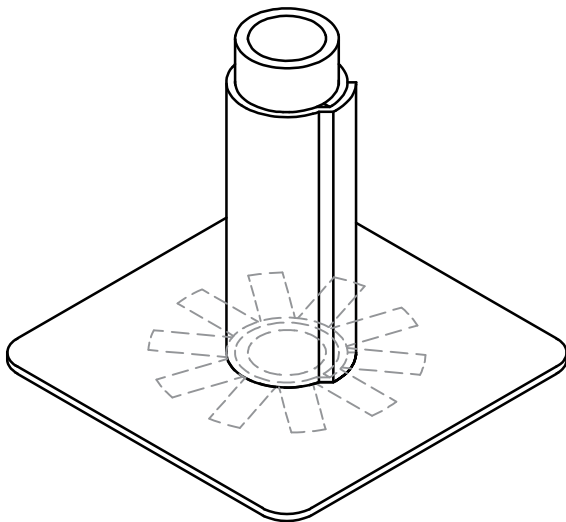
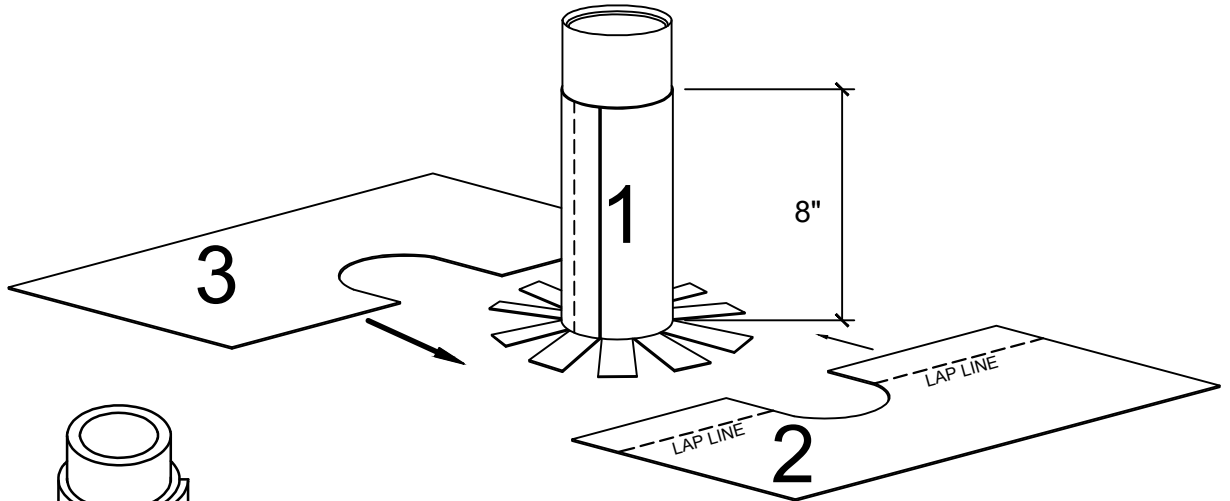
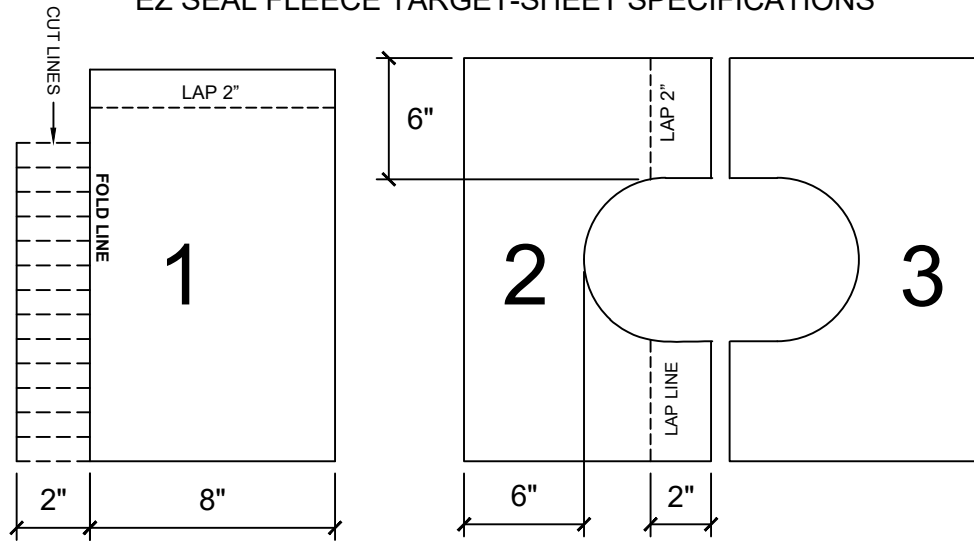
PROJECT NO:

DRAWING NO. :

SUBMITTAL NO. :

PIPE PENETRATION FLASHING

EZ SEAL FLEECE TARGET-SHEET SPECIFICATIONS



ISOMETRIC DETAIL

EZ SEAL 2A



Rev. 3/18

PROJECT NAME:

ADDRESS:

OWNER:

DATE:

SCALE: NOT TO SCALE

PROJECT NO.:

DRAWING NO. :

SUBMITTAL NO. :