

SQUARE POST PENETRATION FLASHING

CLEAN AND ABRABE, REMOVING ALL FOREIGN MATTER; WIPE WITH ACETONE; PRIME PREPARED SURFACE WITH APPROPRIATE PRIMER

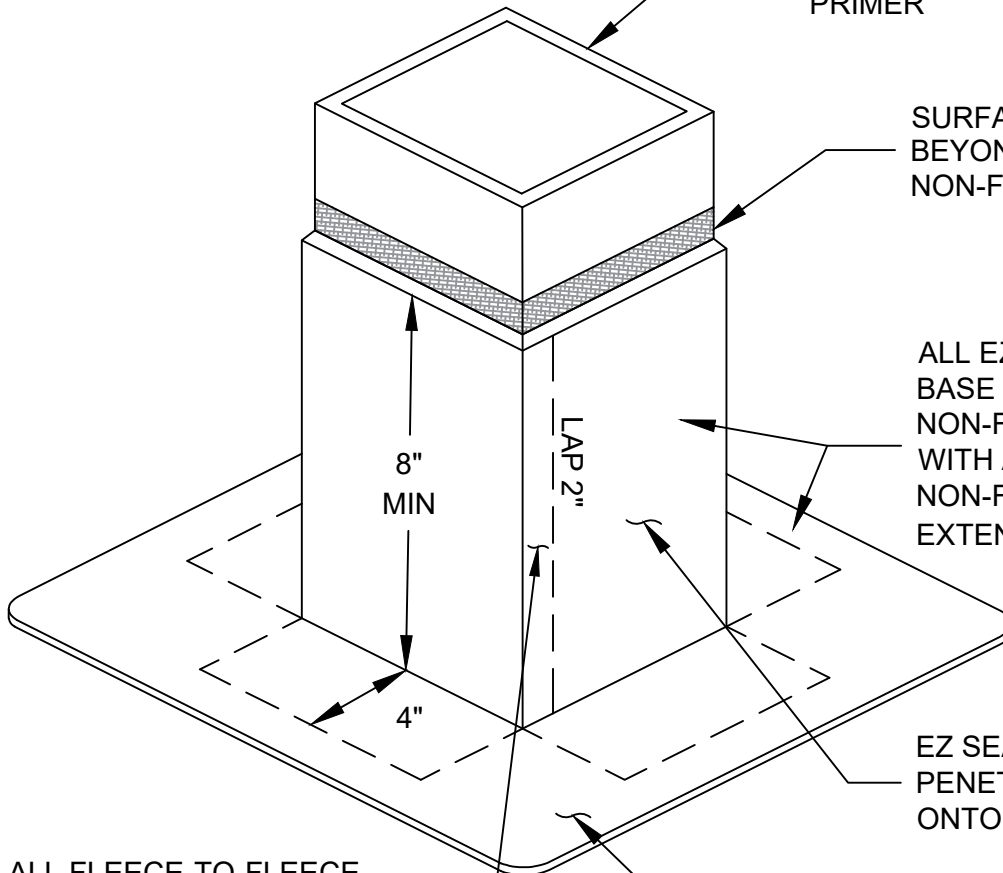
SURFACE PREPARED 1/2" MAX BEYOND EZ SEAL
NON-FIBERED PMMA RESIN

ALL EZ SEAL FLEECE IS SET IN A BASE COAT OF EZ SEAL NON-FIBERED PMMA RESIN; FINISH WITH A TOP COAT OF EZ SEAL NON-FIBERED PMMA RESIN; EXTEND RESIN 1/4" - 1/2" PAST FLEECE

EZ SEAL FLEECE EXTENDS 8" UP PENETRATION WITH A 2" LAP; 4" ONTO APPROVED SUBSTRATE

EZ SEAL FLEECE TARGET SHEET EXTENDS 6" FROM PENETRATION

ALL FLEECE-TO-FLEECE LAPS REQUIRE ADDITIONAL EZ SEAL NON-FIBERED PMMA RESIN BASE COAT BETWEEN FLEECE LAYERS



EZ SEAL 3

PROJECT NAME:

DATE:

SCALE: NOT TO SCALE

ADDRESS:

PROJECT NO:

DRAWING NO. :

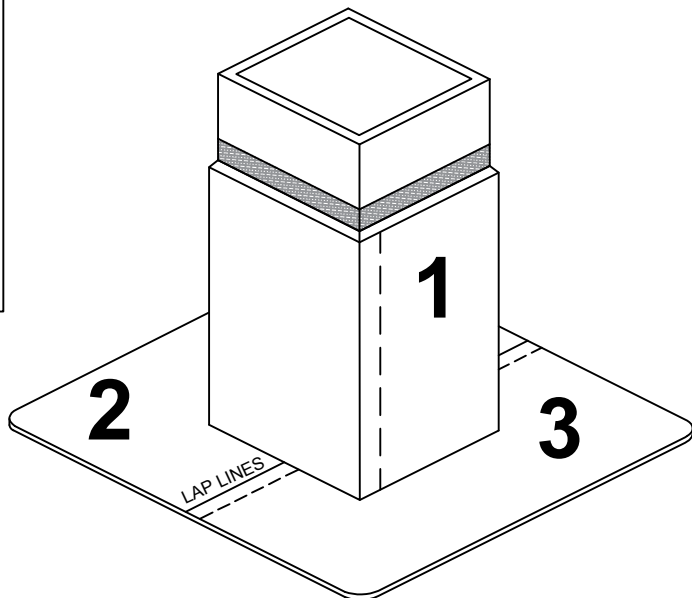
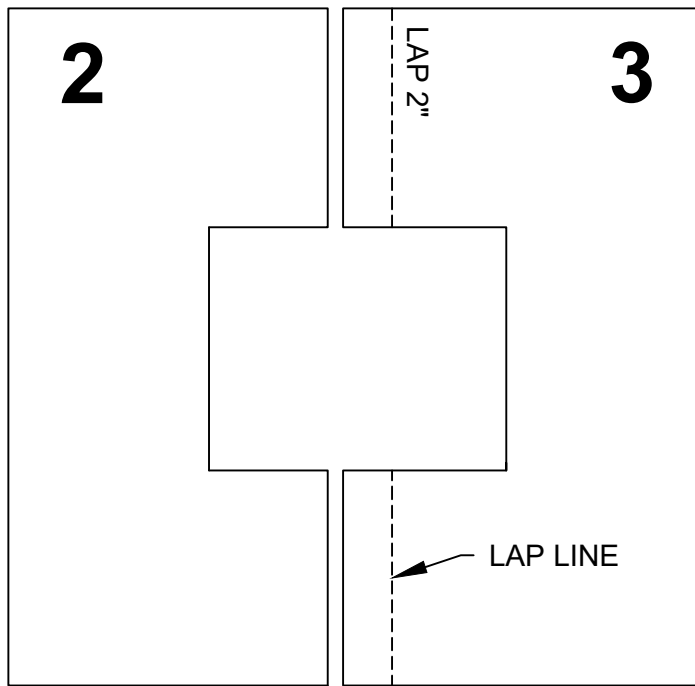
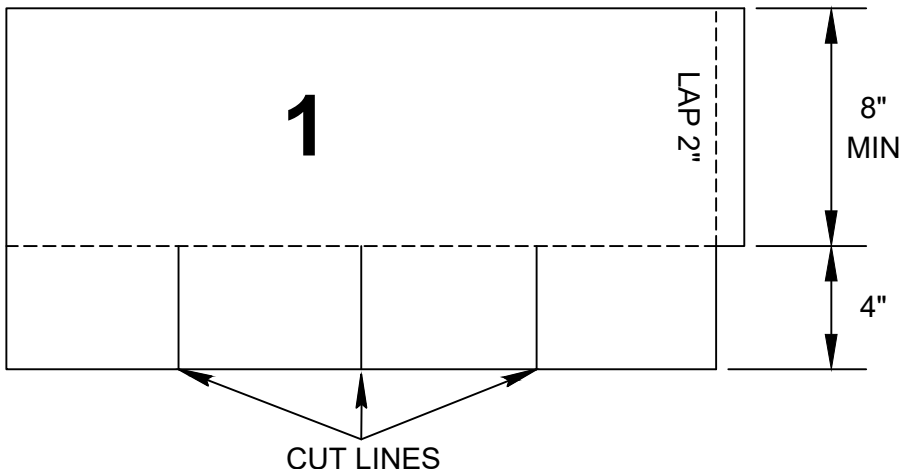
OWNER:

SUBMITTAL NO. :



Rev. 3/18

SQUARE POST PENETRATION FLASHING



EZ SEAL 3A



Rev. 3/18

PROJECT NAME:

ADDRESS:

OWNER:

DATE:

SCALE: NOT TO SCALE

PROJECT NO:

DRAWING NO. :

SUBMITTAL NO. :