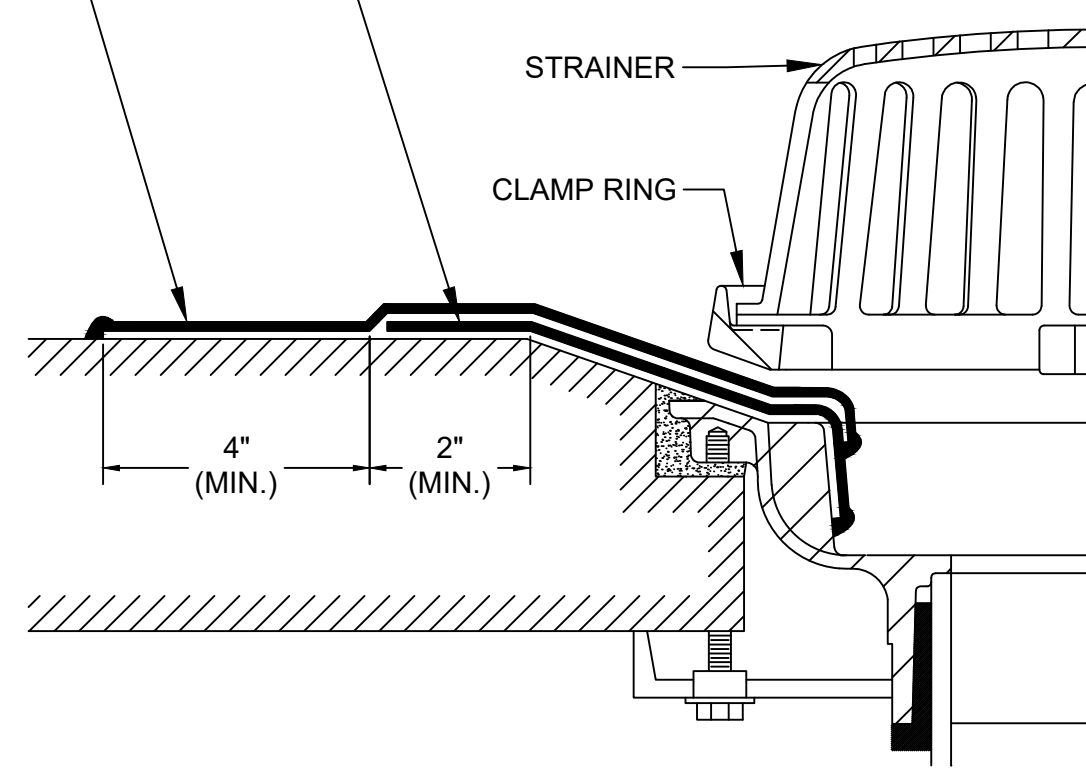


ROOF DRAIN FLASHING

EZ SEAL FLEECE TARGET SHEET EXTENDED ONTO APPROVED SUBSTRATE A MINIMUM OF 4" PAST EZ SEAL FLEECE COLLAR FINGERS AND WITH 1" FINGERS IN DRAIN BOWL

EZ SEAL FLEECE COLLAR MEMBRANE FLASHING EXTENDING 2" INTO DRAIN BOWL WITH 4" FINGERS OUT OF PREPARED DRAIN BOWL



- EZ SEAL FLEECE DIMENSIONS DEPEND ON DRAIN DIAMETER
- CLEAN AND ABRABE SUBSTRATE 1/2" MAX BEYOND EZ SEAL TERMINATION
- WIPE W/ ACETONE; PRIME PREPARED SURFACE WITH APPROPRIATE PRIMER
- EXTEND RESIN 1/4" - 1/2" PAST FLEECE

EZ SEAL 4



Rev. 3/18

PROJECT NAME:

ADDRESS:

OWNER:

DATE:

SCALE: NOT TO SCALE

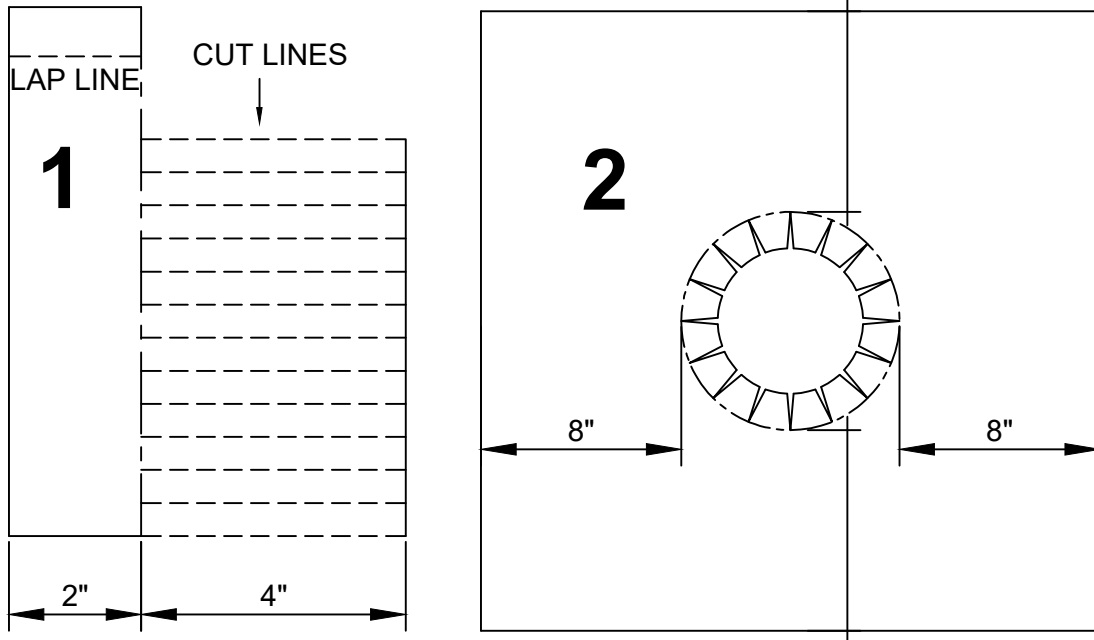
PROJECT NO:

DRAWING NO. :

SUBMITTAL NO. :

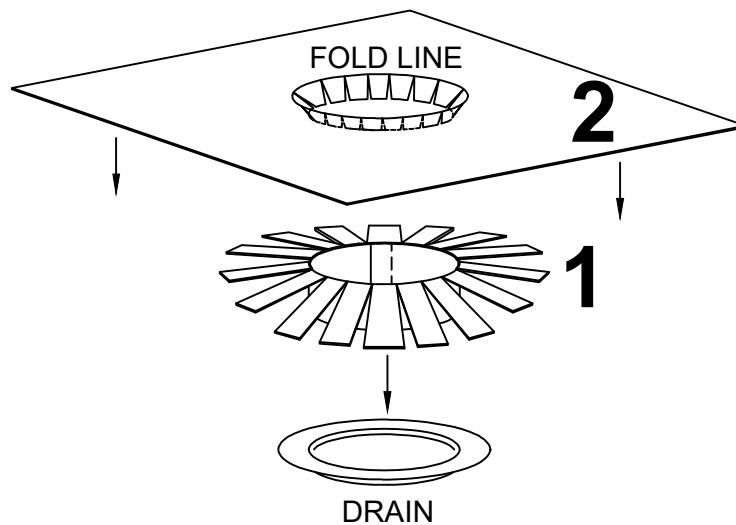
ROOF DRAIN FLASHING

EZ SEAL FLEECE MEMBRANE FLASHING AND TARGET SHEET SPECIFICATIONS



EZ SEAL FLEECE DIMENSIONS DEPENDENT ON DIAMETER:

1. EZ SEAL FLEECE COLLAR FINGERS SHOULD EXTEND A MINIMUM OF 2" OUT OF PREPARED DRAIN BOWL
2. TARGET SHEET EXTENDS MINIMUM OF 4" PAST EZ SEAL FLEECE COLLAR FINGERS



EZ SEAL 4A



Rev. 3/18

PROJECT NAME:

ADDRESS:

OWNER:

DATE:

SCALE: NOT TO SCALE

PROJECT NO:

DRAWING NO. :

SUBMITTAL NO. :