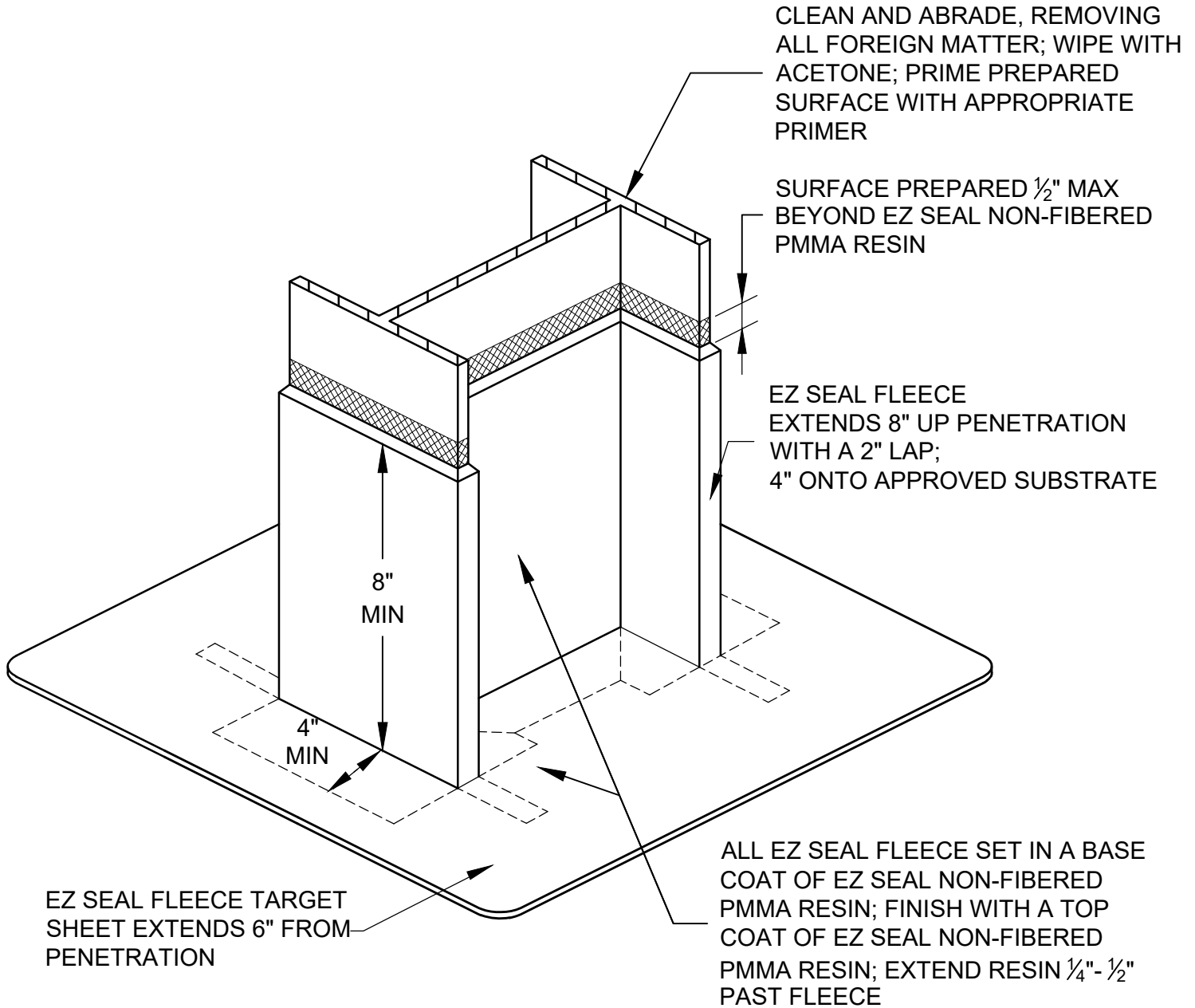


TYPICAL "H" AND "I" BEAM PENETRATION FLASHING



EZ SEAL 6



Rev. 3/18

PROJECT NAME:

ADDRESS:

OWNER:

DATE:

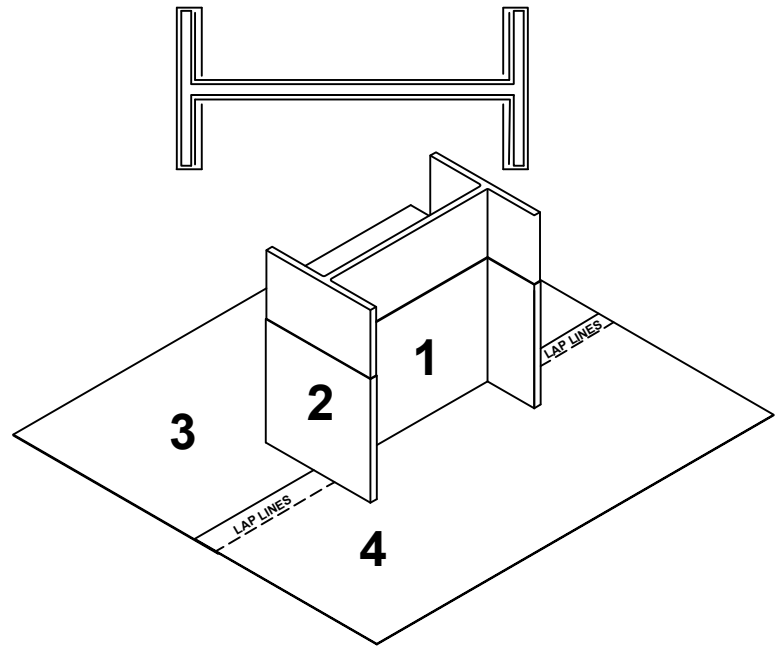
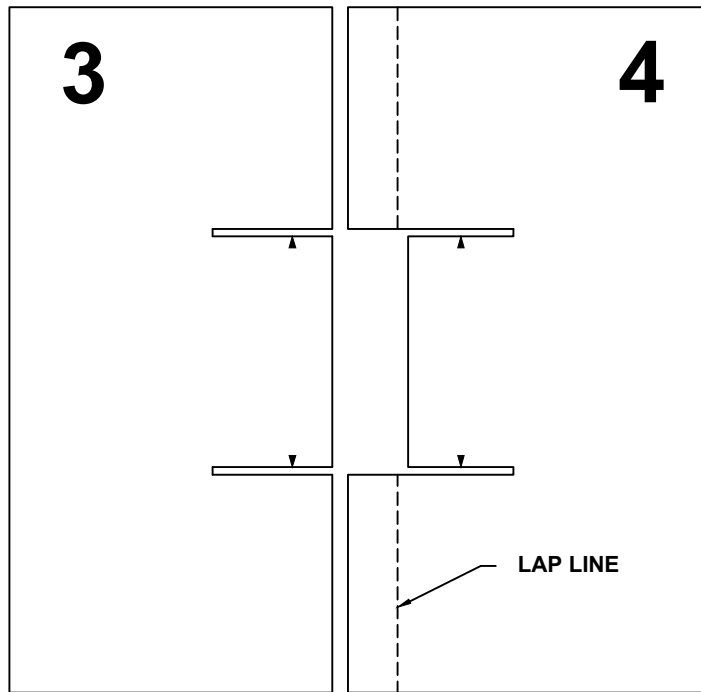
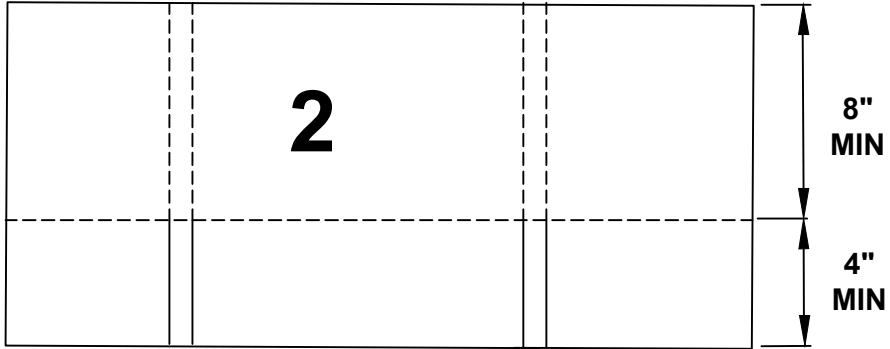
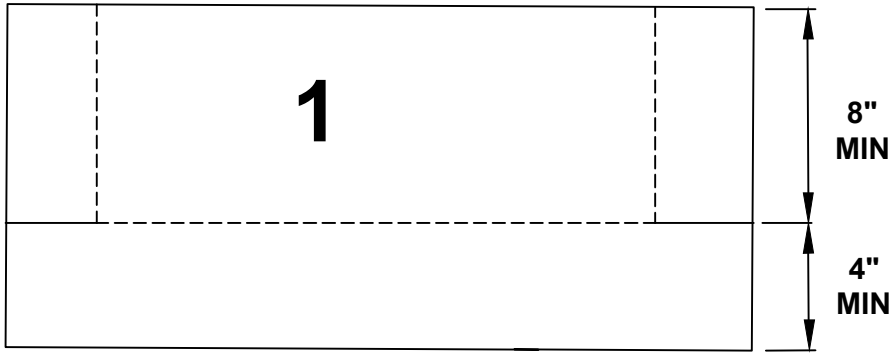
SCALE: NOT TO SCALE

PROJECT NO.:

DRAWING NO. :

SUBMITTAL NO. :

TYPICAL "H" AND "I" BEAM PENETRATION FLASHING



EZ SEAL 6A



Rev. 3/18

PROJECT NAME:

ADDRESS:

OWNER:

DATE:

SCALE: NOT TO SCALE

PROJECT NO:

DRAWING NO. :

SUBMITTAL NO. :