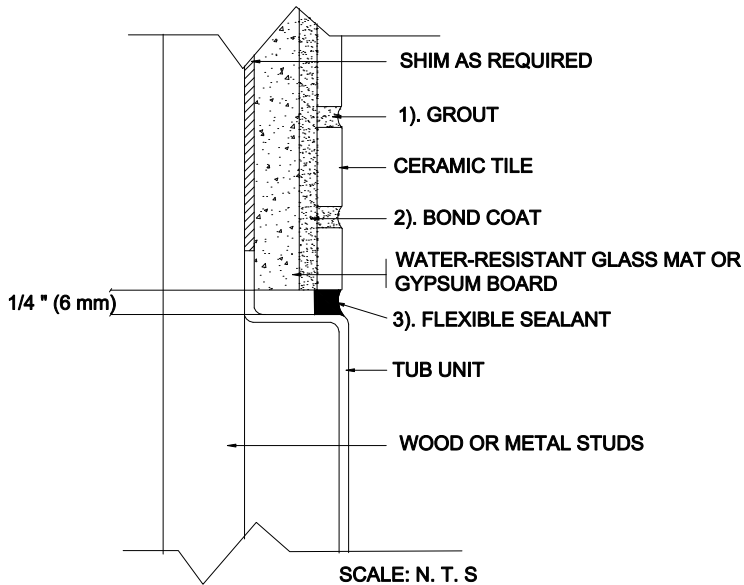


BATHTUB WALL WITH NO SHOWERHEAD

Bathtub Wall (No Showerhead)
Gypsum Board or Glass Mat
Ceramic Tile

MAPEI: MB413
TCNA: B413-16
TTMAC: 319SR-A
Version: 2016



MAPEI Products Assembly

1. Grout Options:

- | | | |
|----|---------------------------------------|------------------|
| A. | <i>Ultracolor[®] Plus</i> | ISO 13007 CG2WAF |
| B. | <i>Keracolor[™] U</i> | ISO 13007 CG2WA |
| C. | <i>Kerapoxy[®]</i> | ISO 13007 RG |
| D. | <i>Kerapoxy CQ</i> | ISO 13007 RG |
| E. | <i>MAPEI Flexcolor[™] CQ</i> | |

2. Bond Coat Options:

- | | | |
|----|---|--------------------|
| A. | <i>Kerabond/Keralastic[™] System</i> | ISO 13007 C2ES2P2 |
| B. | <i>Granirapid[®] System</i> | ISO 13007 C2FS2P2 |
| C. | <i>MAPEI Ultralite[™] Mortar</i> | ISO 13007 C2TES1P1 |
| D. | <i>Ultraflex[™] 3</i> | ISO 13007 C2ES1P1 |
| E. | <i>Ultraflex LFT</i> | ISO 13007 C2TES1P1 |
| F. | <i>Ultraflex LFT Rapid</i> | ISO 13007 C2TFS1P1 |
| G. | <i>Type 1[™]</i> | ISO 13007 D1TE |