

CEILING, SOFFITS

Backer Board

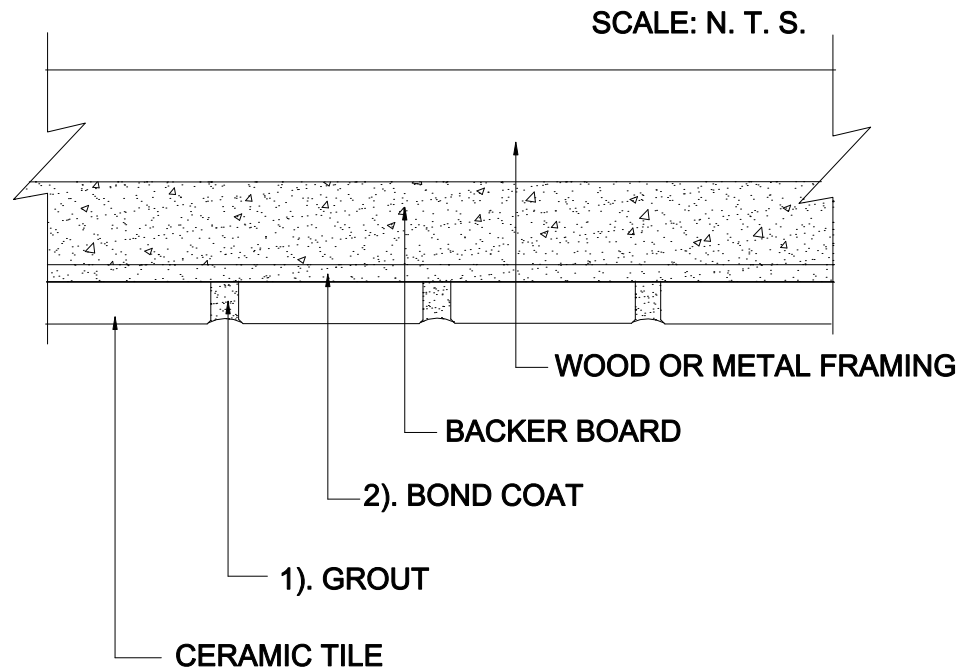
Ceramic Tile

MAPEI: MC315

TCNA: C315-16

TTMAC: 315C-B

Version: 2016



MAPEI Products Assembly

1. Grout Options:

- | | |
|---|------------|
| A. <i>Ultracolor[®] Plus</i> | ISO CG2WAF |
| B. <i>Keracolor[™] U</i> | ISO CG2WA |
| C. <i>Kerapoxy[®] or Kerapoxy CQ</i> | ISO RG |
| D. <i>MAPEI Flexcolor[™] CQ</i> | |

2. Bond Coat Options:

- | | |
|--|--------------|
| A. <i>Kerabond/Keralastic[™] System</i> | ISO C2ES2P2 |
| B. <i>Kerabond[™] T / Keralastic[™] System</i> | ISO C2ES2P2 |
| C. <i>Granirapid[®] System</i> | ISO C2FS2P2 |
| D. <i>MAPEI Ultralite[™] Mortar</i> | ISO C2TES1P1 |
| E. <i>Ultraflex[™] 3</i> | ISO C2ES1P2 |
| F. <i>Type 1[™]</i> | ISO D1TE |
| G. <i>Ultramastic ECO[™]</i> | ISO D1TE |