

INTERIOR FLOORS OVER CONCRETE

On-Ground or Above-Ground Concrete

Organic Adhesive

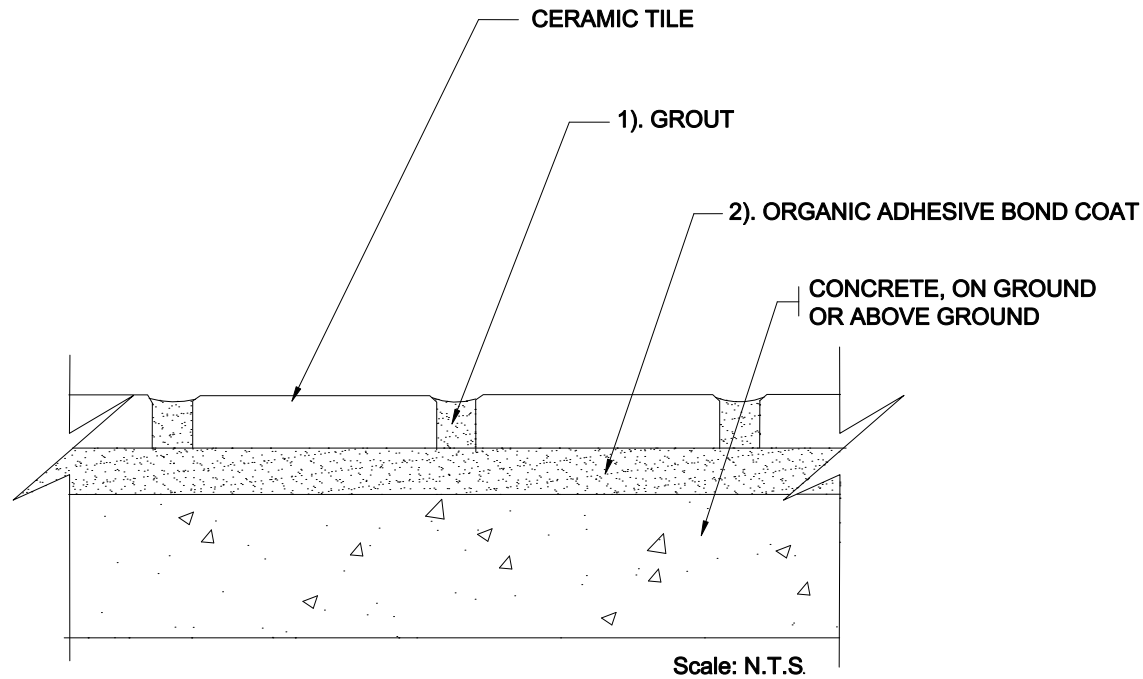
Ceramic Tile

MAPEI: MF1160

TCNA: F1160-16

TTMAC: N/A

Version: 2016



MAPEI Products Assembly

1. Grout Options:

- | | |
|------------------------------------|------------------|
| A. Ultracolor [®] Plus | ISO 13007 CG2WAF |
| B. Keracolor [™] U | ISO 13007 CG2WA |
| C. Kerapoxy [®] | ISO 13007 RG |
| D. Kerapoxy CQ | ISO 13007 RG |
| E. MAPEI Flexcolor [™] CQ | |

2. Organic Adhesive Bond Coat Options:

- | | |
|-------------------------|----------------|
| A. Type 1 [™] | ISO 13007 D1TE |
| B. Ker [®] 209 | ISO 13007 D1TE |