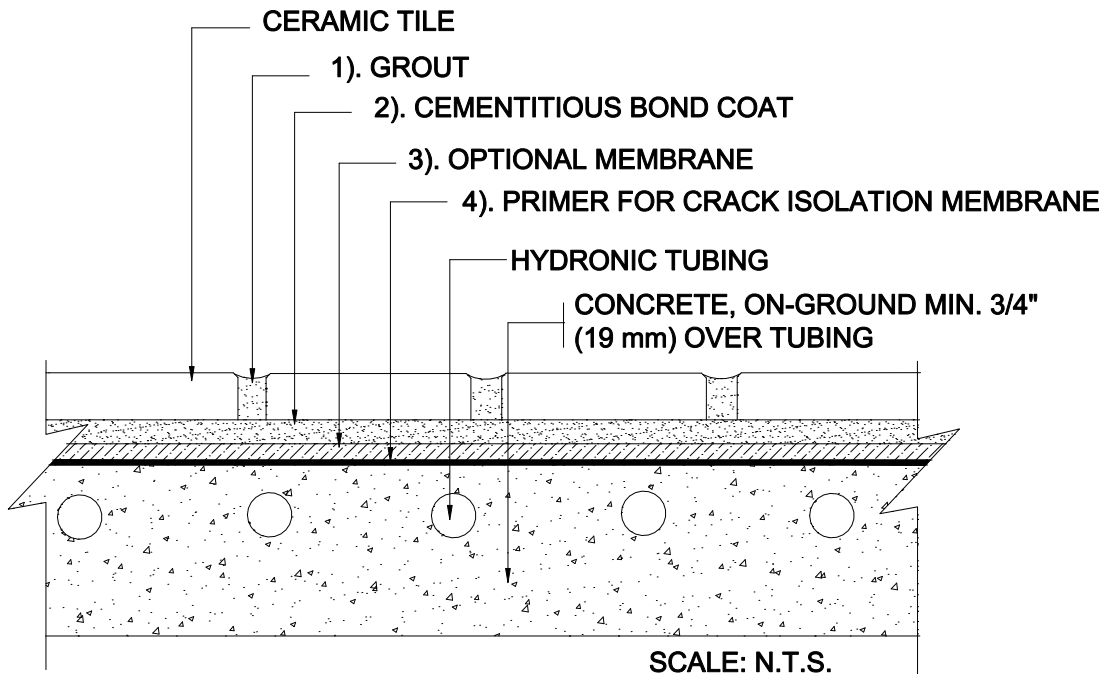


# INTERIOR FLOORS WITH RADIANT HEAT OVER CONCRETE

On-Ground Concrete  
Encapsulating Hydronic Tubing  
Ceramic Tile

MAPEI: MRH110  
TCNA: RH110-16  
TTMAC: N/A  
Version: 2016



## MAPEI Products Assembly

### 1. Grout Options:

- |    |                                      |                  |
|----|--------------------------------------|------------------|
| A. | Ultracolor <sup>®</sup> Plus         | ISO 13007 CG2WAF |
| B. | Keracolor <sup>™</sup> U             | ISO 13007 CG2WA  |
| C. | Kerapoxy <sup>®</sup> or Kerapoxy CQ | ISO 13007 RG     |
| D. | MAPEI Flexcolor <sup>™</sup> CQ      |                  |

### 2. Cementitious Bond Coat Options:

- |    |   |                     |
|----|---|---------------------|
| A. | Kerbond/Keralastic <sup>™</sup> System                  | ISO 13007 C2E8-1P1  |
| B. | Kerbond <sup>™</sup> T / Keralastic <sup>™</sup> System | ISO 13007 C2E8-1P1  |
| C. | Granraplo <sup>®</sup> System                           | ISO 13007 C2F8-2P2  |
| D. | Ultraflex <sup>™</sup> LFT <sup>™</sup>                 | ISO 13007 C2TE8-1P1 |
| E. | Ultraflex LFT Rapid                                     | ISO 13007 C2TF8-1P1 |
| F. | Ultraflex 3   | ISO 13007 C2E8-1P1  |

### 3. Optional Membrane Options:

- |    |   |
|----|---|
| A. | (Crack Isolation / Sound Control) Mapeguard <sup>™</sup> 2            |
| B. | (Waterproofing / Crack Isolation) Mapelastic <sup>™</sup> AquaDefense |
| C. | (Crack Isolation) Mapelastic C  |

### 4. Primer for Crack-Isolation Membrane (Mapeguard 2 only):

- |    |                               |
|----|-------------------------------|
| A. | MAPEI S/M Primer <sup>™</sup> |
|----|-------------------------------|