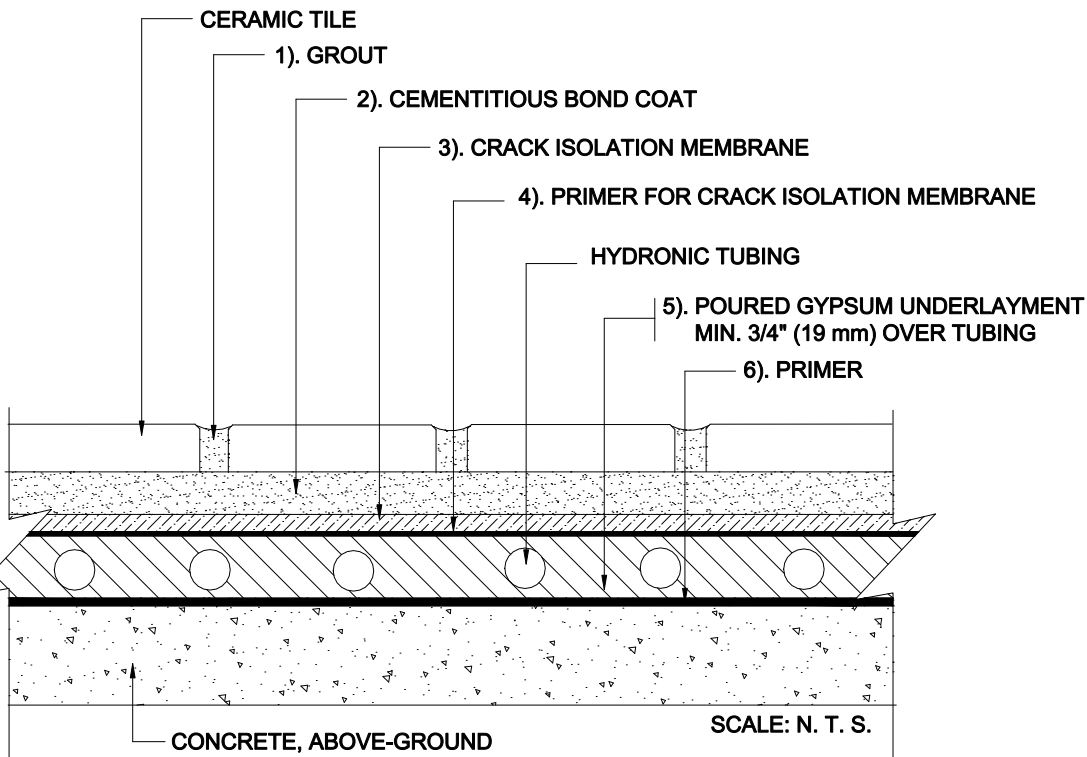


INTERIOR FLOORS WITH RADIANT HEAT OVER CONCRETE

Above-Ground Concrete
 Poured Gypsum Underlayment
 Encapsulating Hydronic Tubing
 Bonded Membrane
 Ceramic Tile

MAPEI: MRH111A
 TCNA: RH111A-16
 TTMAC: N/A
 Version 2016



MAPEI Products Assembly

1. Grout Options:

A. <i>Ultracolor[®] Plus</i>	ISO 13007 CG2WAF
B. <i>Keracolor[™] U</i>	ISO 13007 CG2WA
C. <i>Kerapoxy[®]</i>	ISO 13007 RG
D. <i>Kerapoxy[®] CQ</i>	ISO 13007 RG
E. <i>MAPEI Flexcolor[™] CQ</i>	

2. Cementitious Bond Coat Options:

A. <i>Kerabond[™] 1 / Keralastic[™] System</i>	ISO 13007 C2ES2P2
B. <i>Kerabond/Keralastic[™] System</i>	ISO 13007 C2ES2P2
C. <i>Granirapid[®] System</i>	ISO 13007 C2FS2P2
D. <i>Ultraflex[™] LFT[™]</i>	ISO 13007 C2TES1P1
E. <i>Ultraflex LFT Rapid</i>	ISO 13007 C2TFS1P1
F. <i>Ultraflex 3</i>	ISO 13007 C2ES1P1

3. Crack-Isolation Membrane:
 - A. (Crack Isolation / Sound Control) *Mapeguard[™] 2*

4. Primer for Crack-Isolation Membrane:
 - A. *MAPEI SM Primer[™]*

5. Poured Gypsum Underlayment:
 - A. *Planitex[™] SL35*

6. Primer:
 - A. *Primer L[™]*