

INTERIOR FLOORS WITH RADIANT HEAT OVER CONCRETE

On-Ground Concrete

Cementitious Self-Leveling Underlayment Encapsulating Hydronic Tubing

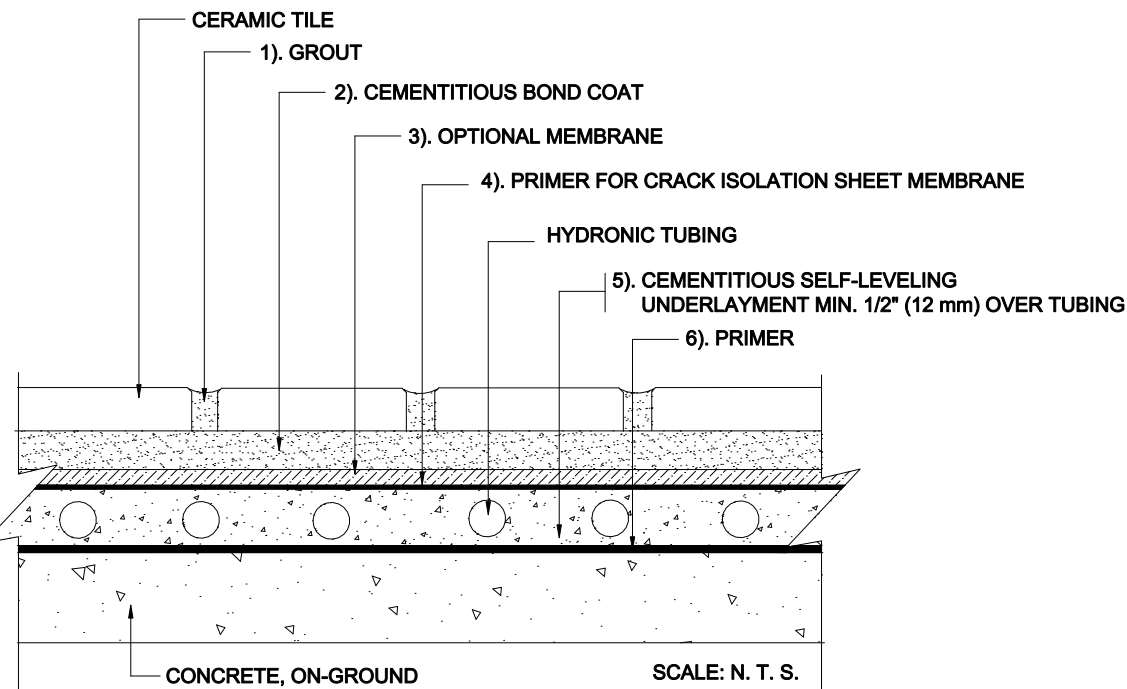
Ceramic Tile

MAPEI: MRH112

TCNA: RH112-16

TTMAC: N/A

Version 2016



MAPEI Products Assembly

1. Grout Options:
 - A. *Ultracolor[®] Plus* ISO 13007 CG2WAF
 - B. *Keracolor[™] U* ISO 13007 CG2WA
 - C. *Kerapoxy[®] or Kerapoxy CQ* ISO 13007 RG
 - D. *MAPEI Flexcolor[™] CQ*
2. Cementitious Bond Coat Options:
 - A. *Kerabond[™] T / Keralastic[™] System* ISO 13007 C2ES2P2
 - B. *Kerabond/Keralastic[™] System* ISO 13007 C2ES2P2
 - C. *Granirapid[®] System* ISO 13007 C2FS2P2
 - D. *Ultraflex[™] LF T[™]* ISO 13007 C2TES1P1
 - E. *Ultraflex LFT Rapid* ISO 13007 C2TFS1P1
 - F. *Ultraflex 3* ISO 13007 C2ES1P1
3. Optional Membrane Options:
 - A. Waterproofing / Crack Isolation
 1. *Mapelastic[™] AquaDefense*
 - B. Crack Isolation
 1. *Mapelastic CI*
 - C. Crack Isolation / Sound Control (sheet membrane)
 1. *Mapeguard[™] 2*
 - a. *MAPEI SMPrimer[™]*
4. Primer:
 - A. *Primer T[™]*
5. Cementitious Self-Leveling Underlayment Options:
 - A. *Ultraplan[®] 1 Plus*
 - B. *Novoplan[®] 2 Plus*