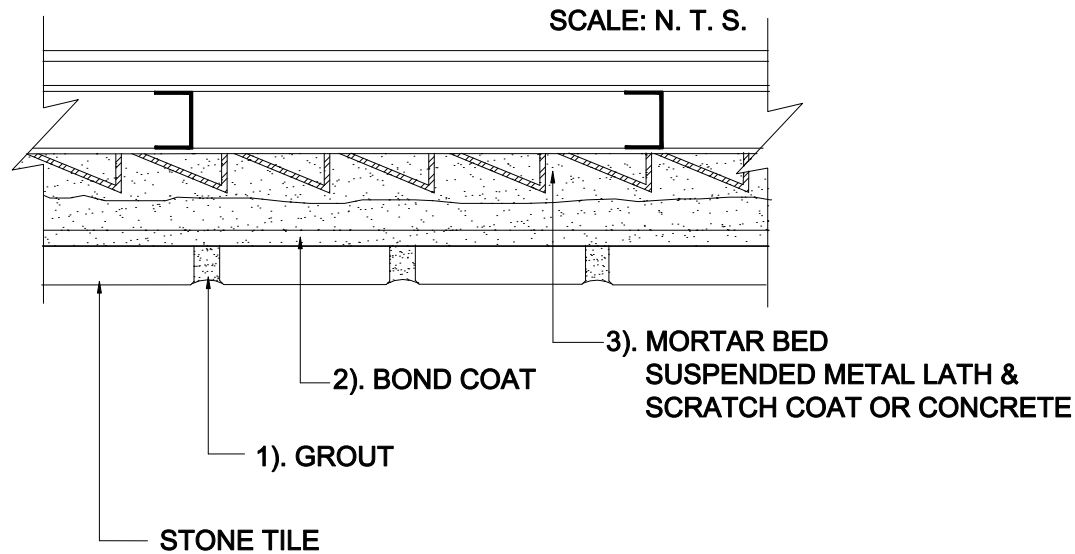


CEILINGINGS, SOFFITS

Mortar Bed
Stone Tile

MAPEI: MC311-Stone
TCNA: C311-16-Stone
TTMAC: 315C-A
Version: 2016



MAPEI Products Assembly

1. Grout Options:

A.	<i>Ultracolor[®] Plus</i>	ISO 13007 CG2WAF
B.	<i>Keracolor U</i>	ISO 13007 CG2WA
C.	<i>Kerapoxy[®]</i>	ISO 13007 RG
D.	<i>Kerapoxy CQ</i>	ISO 13007 RG
E.	<i>MAPEI Flexcolor[™] CQ</i>	

2. Bond Coat Options:

A.	<i>Kerabond[™] T / Keralastic[™] System</i>	ISO 13007 C2ES2P2
B.	<i>Kerabond/Keralastic[™] System</i>	ISO 13007 C2ES2P2
C.	<i>Granitrack[®] System</i>	ISO 13007 C2FS2P2
D.	<i>MAPEI Ultralite[™] Mortar</i>	ISO 13007 C2TES1P1
E.	<i>Ultraflex[™] 3</i>	ISO 13007 C2ES1P1

3. Mortar and Scratch Coat:

A.	<i>Modified Mortar Bed</i>	
----	----------------------------	--