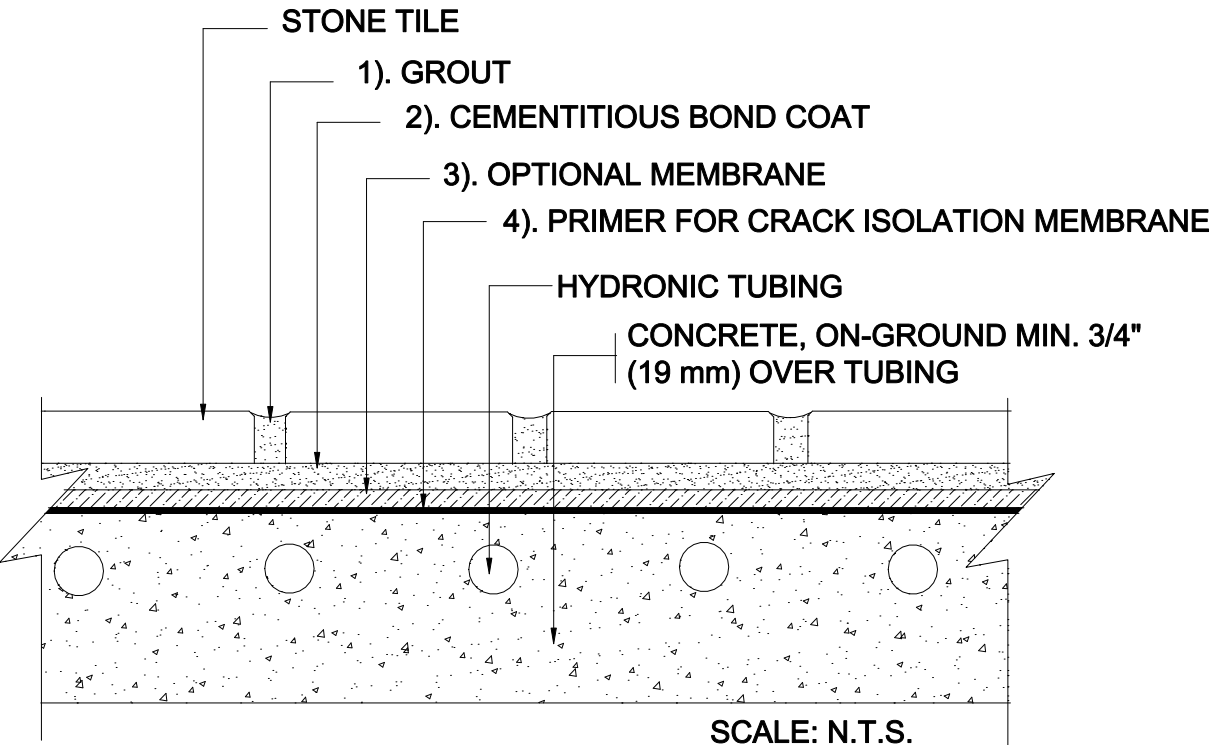


# INTERIOR FLOORS WITH RADIANT HEAT OVER CONCRETE

On-Ground Concrete  
Encapsulating Hydronic Tubing  
Stone Tile

MAPEI: MRH110-Stone  
TCNA: RH110-16-Stone  
TTMAC: N/A  
Version: 2016



## MAPEI Products Assembly

### 1. Grout Options:

- |   |                  |
|---|------------------|
| A. <i>Ultracolor<sup>®</sup> Plus</i>         | ISO 13007 CG2WAF |
| B. <i>Keracolor<sup>™</sup> U</i>             | ISO 13007 CG2WA  |
| C. <i>Kerapoxy<sup>®</sup> or Kerapoxy CQ</i> | ISO 13007 RG     |
| D. <i>MAPEI Flexcolor<sup>™</sup> CQ</i>      |                  |

### 2. Cementitious Bond Coat Options:

- |  |                    |
|--|--------------------|
| A. <i>Kerabond/Keralastic<sup>™</sup> System</i>                 | ISO 13007 C2ES1P1  |
| B. <i>Kerabond<sup>™</sup> T / Keralastic<sup>™</sup> System</i> | ISO 13007 C2ES1P1  |
| C. <i>Granrapido<sup>®</sup> System</i>                          | ISO 13007 C2FS2P2  |
| D. <i>Ultraflex<sup>™</sup> LFT<sup>™</sup></i>                  | ISO 13007 C2TES1P1 |
| E. <i>Ultraflex LFT Rapid</i>                                    | ISO 13007 C2TFS1P1 |
| F. <i>Ultraflex 3</i>  | ISO 13007 C2ES1P1  |

### 3. Optional Membrane Options:

- |   |  |
|---|--|
| A. (Crack Isolation / Sound Control) <i>Mapeguard<sup>™</sup> 2</i> |  |
| B. (Waterproofing / Crack Isolation) <i>Mapeelastic AquaDefense</i> |  |

### 4. Primer for Crack-Isolation Membrane (for *Mapeguard 2* only):

- |  |  |
|--|--|
| A. <i>MAPEI S/M Primer<sup>™</sup></i> |  |
|--|--|