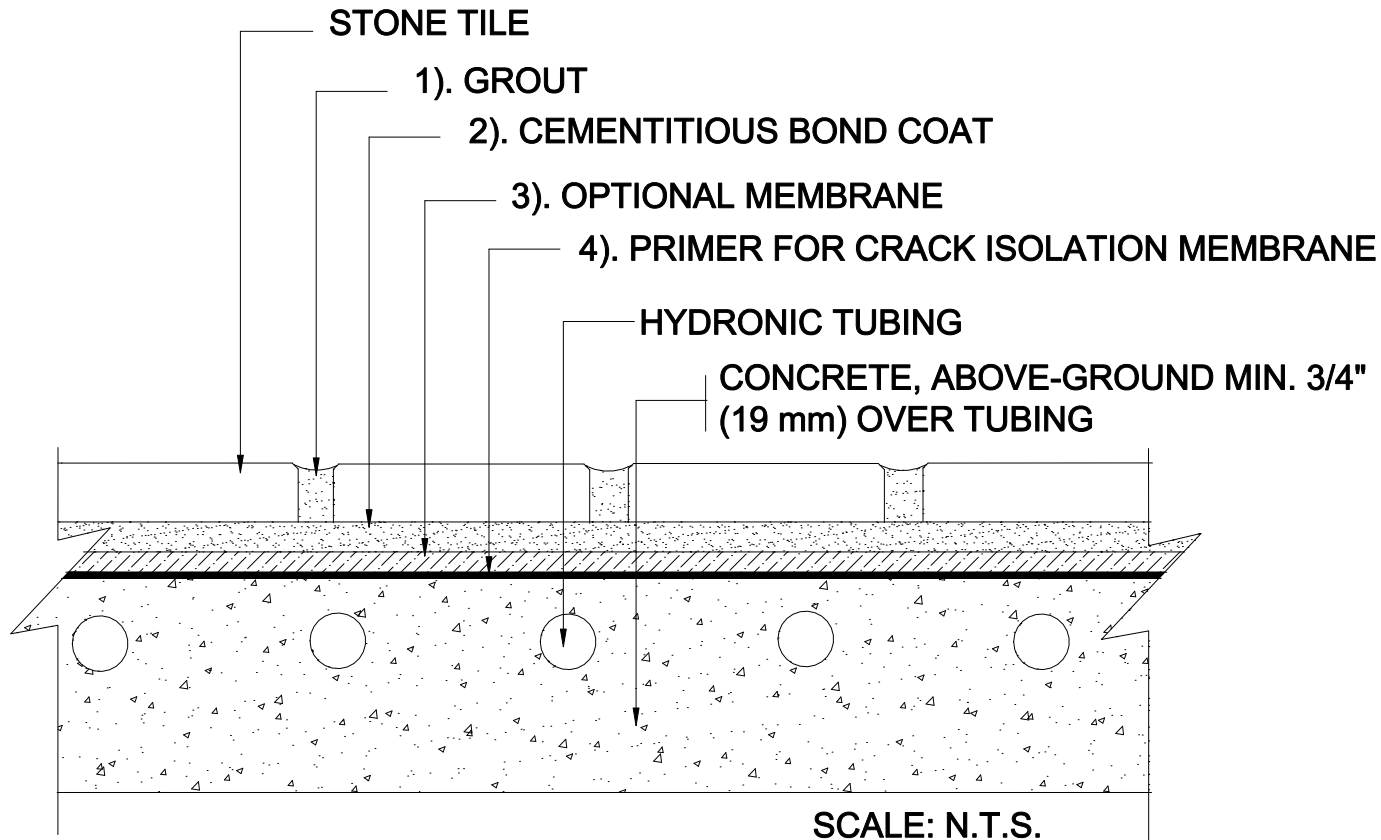


# INTERIOR FLOORS WITH RADIANT HEAT OVER CONCRETE

Above-Ground Concrete  
Encapsulating Hydronic Tubing  
Stone Tile

MAPEI: MRH110A-Stone  
TCNA: RH110A-16-Stone  
TTMAC: N/A  
Version: 2016



## MAPEI Products Assembly

1. Grout Options:
  - A. Ultracolor<sup>®</sup> Plus ISO 13007 CG2MAF
  - B. Keracolor<sup>™</sup> UJ ISO 13007 CG2MA
  - C. Kerapoxy or Kerapoxy CQ ISO 13007 RG
  - D. MAPEI Flexcolor<sup>™</sup> CQ
2. Cementitious Bond Coat Options:
  - A. Kerabond/Keralastic<sup>™</sup> System ISO 13007 C2ES1P1
  - B. Kerabond<sup>™</sup> T / Keralastic<sup>™</sup> System ISO 13007 C2ES1P1
  - C. Gran/raplo<sup>®</sup> System ISO 13007 C2FS2P2
  - D. Ultraflex<sup>™</sup> LFT<sup>™</sup> ISO 13007 C2TES1P1
  - E. Ultraflex LFT Rapid ISO 13007 C2TFS1P1
  - F. Ultraflex 3 ISO 13007 C2ES1P1
3. Optional Membrane:
  - A. (Crack Isolation / Sound Control) Mapeguard<sup>™</sup> 2
4. Primer for Crack-Isolation Membrane (for Mapeguard 2 only):
  - A. MAPEI S11 Primer<sup>™</sup>