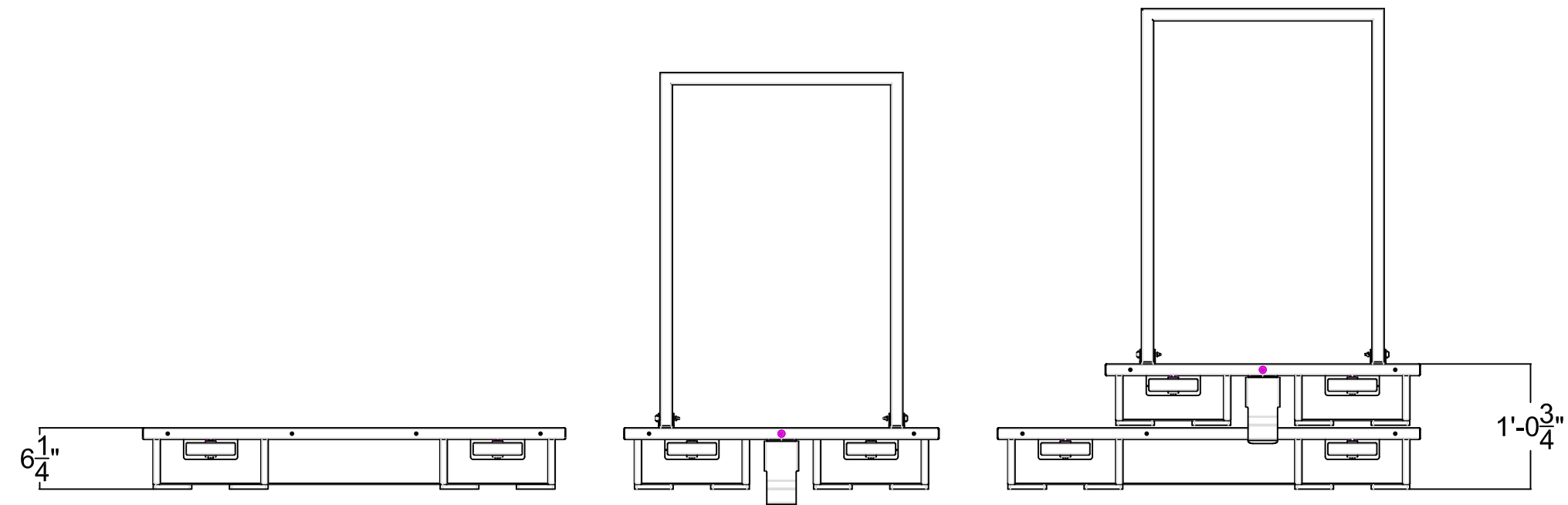
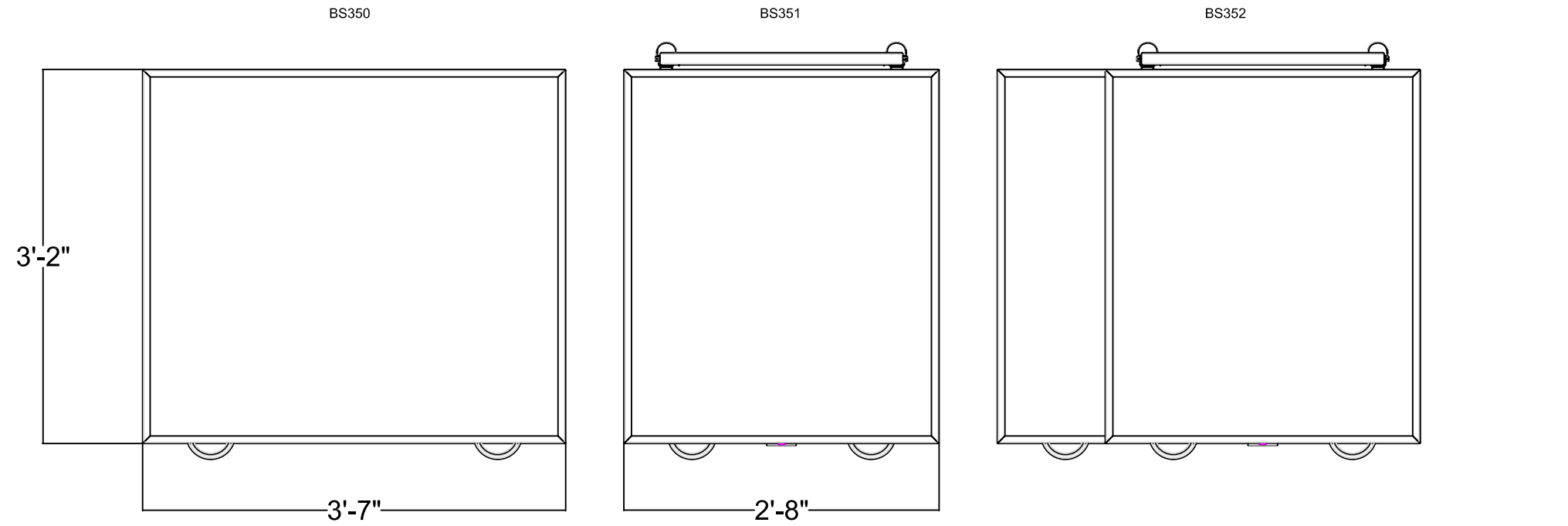


STANDARD PLAN VIEW



STANDARD ELEVATION VIEW

Top edges are wrapped with 16Ga. steel edging. Models BS351 & BS352 have 1-1/4" 16Ga. steel 36" tall guard rails. Rail folds flat for storage and is removable. 5" recessed wheels mounted on front of podium for mobility. Plastic gusset feet attached at each base structure corner for strength and floor protection. See more specs and features @ www.marcogroupinc.com