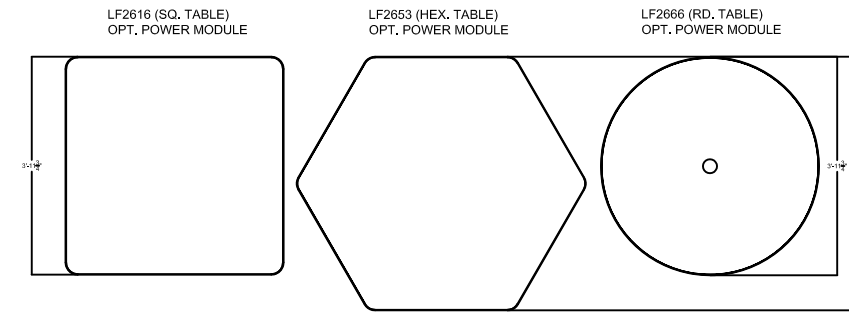
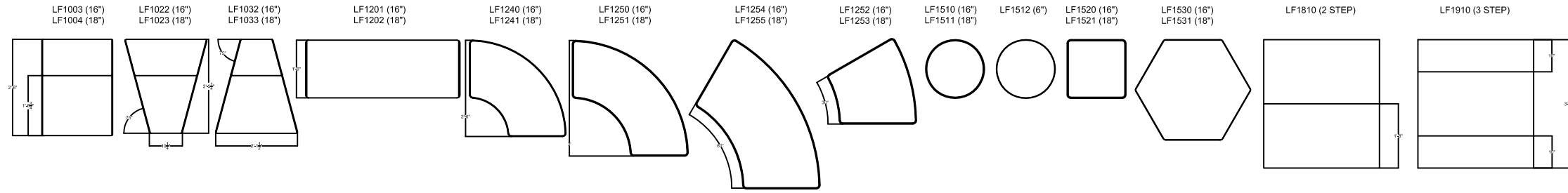
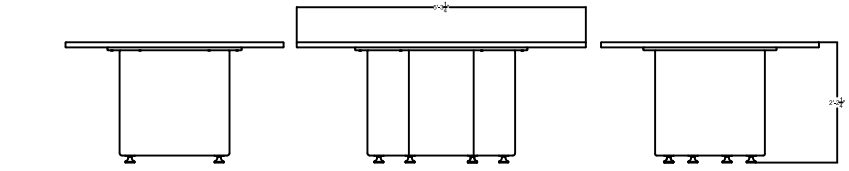
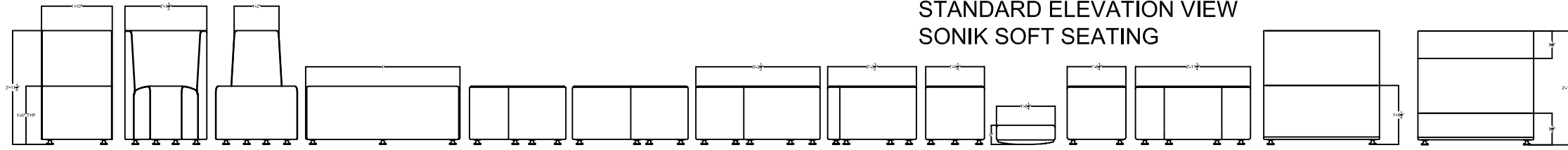


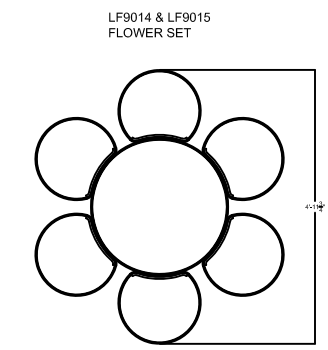
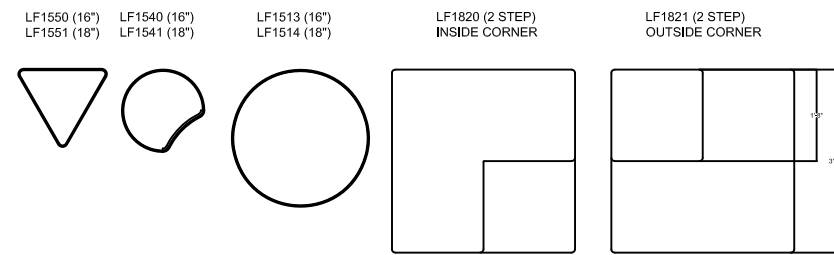
STANDARD PLAN VIEW
SONIK SOFT SEATING



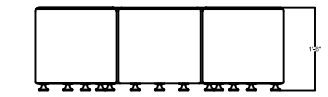
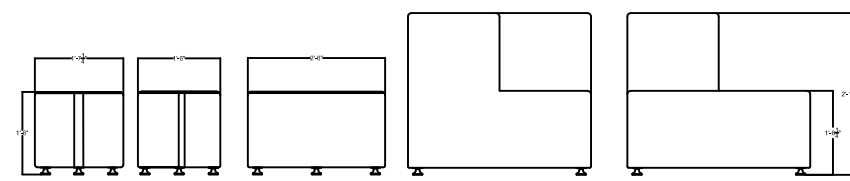
STANDARD ELEVATION VIEW
SONIK SOFT SEATING



STANDARD PLAN VIEW
SONIK SOFT SEATING



STANDARD ELEVATION VIEW
SONIK SOFT SEATING



FEATURES
Soft seating creates a multitude of spaces for establishing privacy, collaboration or relaxation. Coordinating pieces configure as circular, straight, angled or serpentine arrangements. Available in either 16" or 18" seat heights. More details @ www.marco-groupinc.com