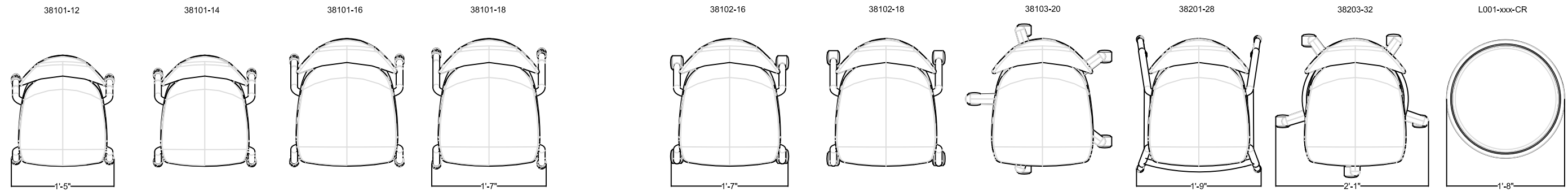
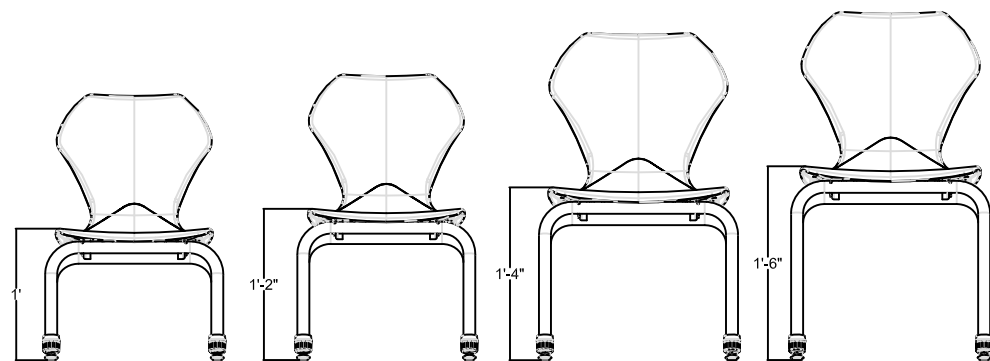


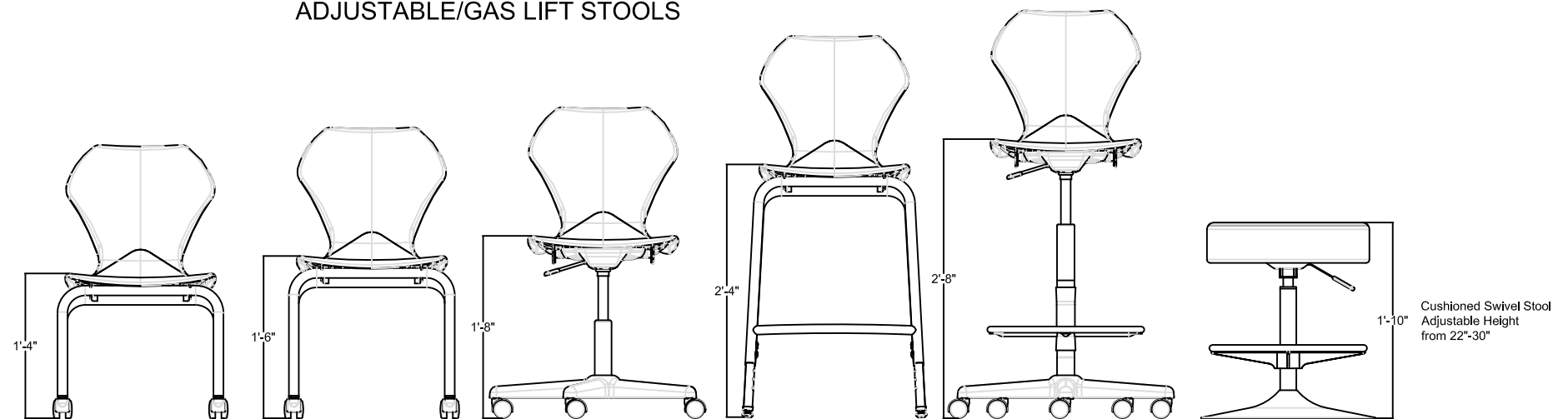
STANDARD PLAN VIEW  
APEX CHAIRS / STOOLS



APEX STACKING CHAIRS



APEX CASTER/GAS LIFT CHAIRS &  
ADJUSTABLE/GAS LIFT STOOLS



STANDARD ELEVATION VIEW  
APEX CHAIRS / STOOLS

**FEATURES**  
Available in 12", 14", 16" and 18" heights. Brackets are welded to underside of frame for added strength. Legs are constructed of 1-1/8" tubular steel and come in gray powder coat finish or chrome. Nickel-plated, self-leveling nylon glides that reduce scratching and marring on school floors along with built-in cushions for noise reduction.

L001-xxx-CR (STANDARD FABRIC OPTIONS)  
Special order vinyl colors and grades available.  
Details @ [www.marcogroupinc.com](http://www.marcogroupinc.com)