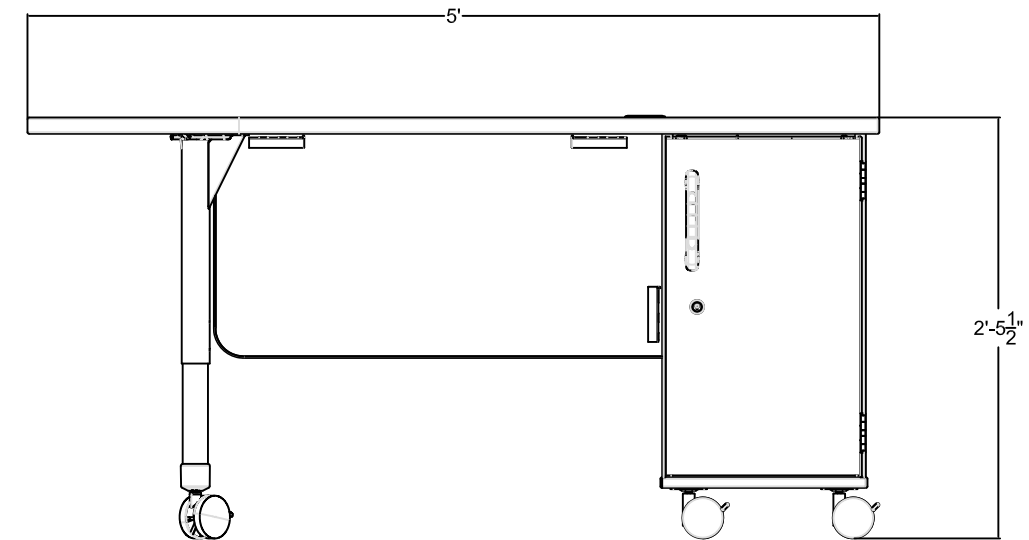
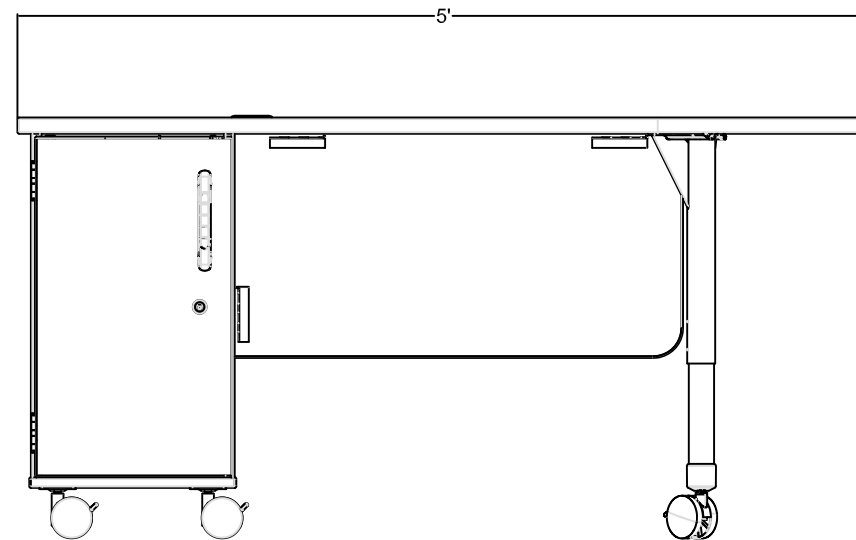
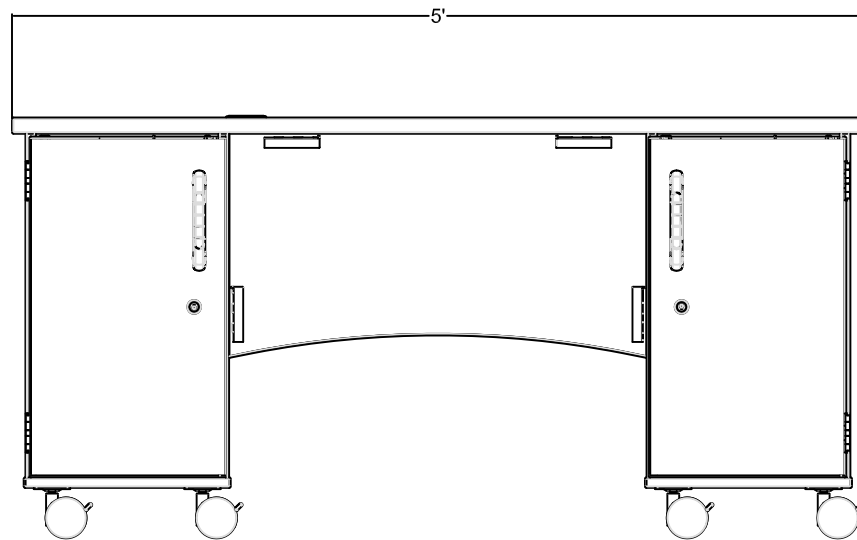
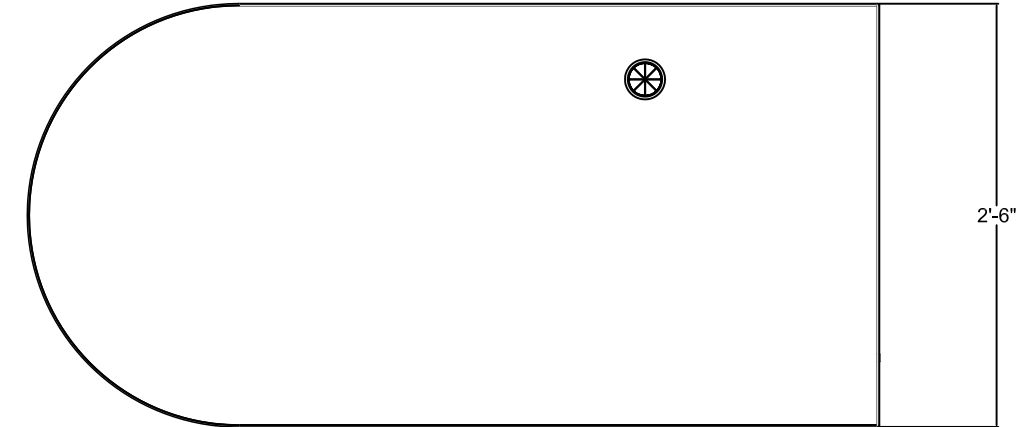
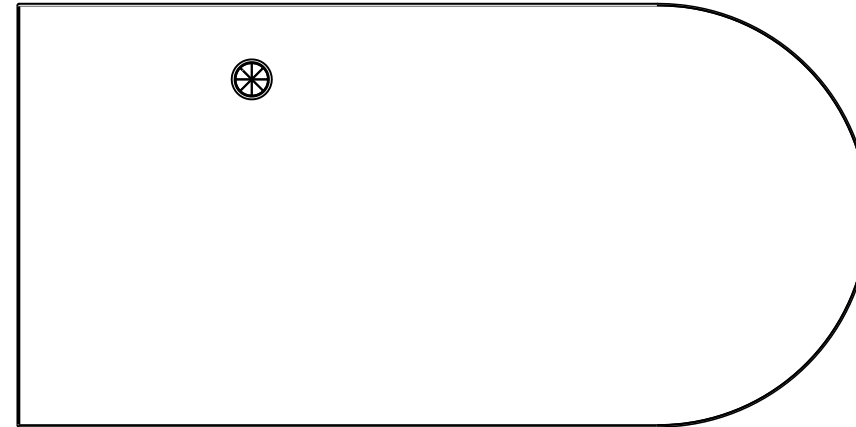
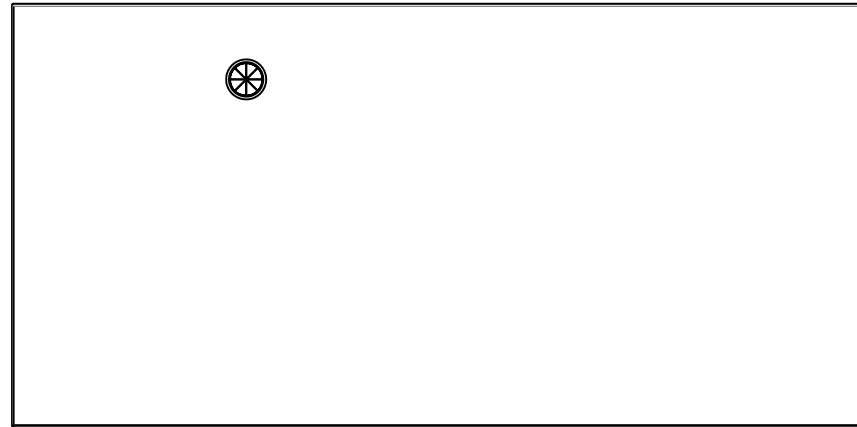


STANDARD PLAN VIEW - MOBILE INSTRUCTOR STATIONS

37-1305-31B6

37-1304L-31B6

37-1304R-31B6



FEATURES:

- 1-1/8" HPL DRY ERASE TABLETOPS WITH CORD MANAGEMENT
- 3/4" THICK PARTICLEBOARD WITH THERMALLY-FUSED LAMINATE SURFACE
- 3MM PVC EDGE BANDING
- 3" BLACK HEAVY DUTY LOCKING CASTERS
- ENGINEERING GRADE ABS PLASTIC TRAYS AND GUIDES
- (3) 3" STORAGE TRAYS AND (1) 9" STORAGE TRAY
- 270 DEGREE SWING 5 KNUCKLE HINGES
- KEYED DOOR LOCKS
- UL GREENGUARD GOLD CERTIFIED
- 2 ADJUSTABLE SHELVES ON 37-1305-31B6 MODEL ONLY

AVAILABLE OPTIONS: MORE DETAILS @ MARCOGROUPINC.COM

5 CONFIGURATIONS OF DIVIDERS FOR STORAGE TRAYS
FILE FRAME INSERT FOR 9" TRAYS

STANDARD ELEVATION VIEW - MOBILE INSTRUCTOR STATIONS