

CUSTOMER APPROVAL ENDORSEMENT

APPROVED AS SHOWN

APPROVED WITH CHANGES SHOWN

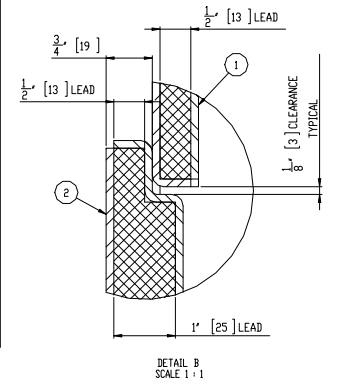
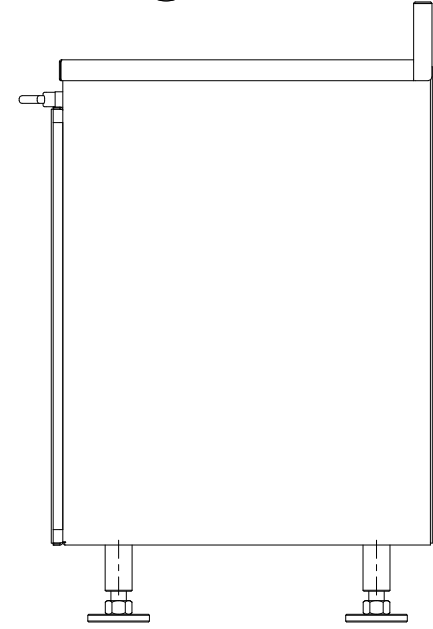
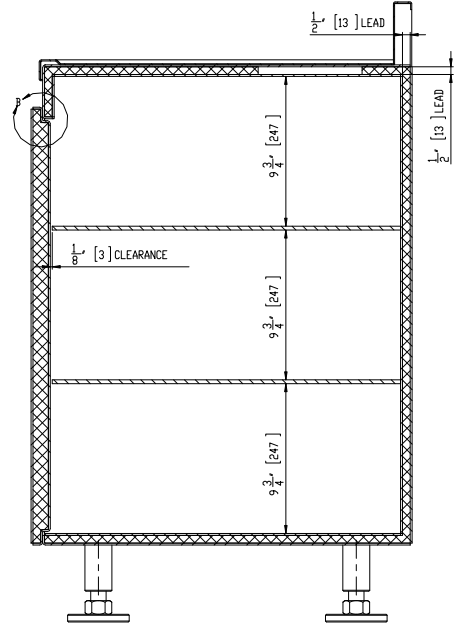
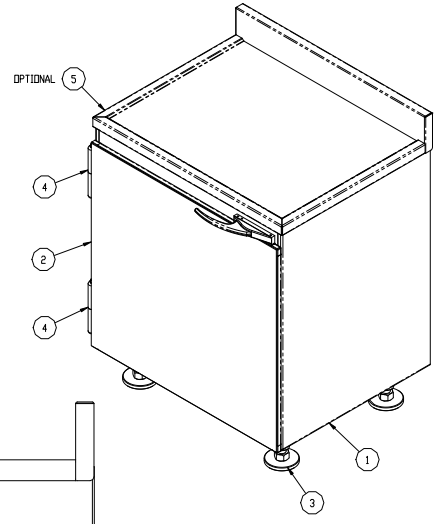
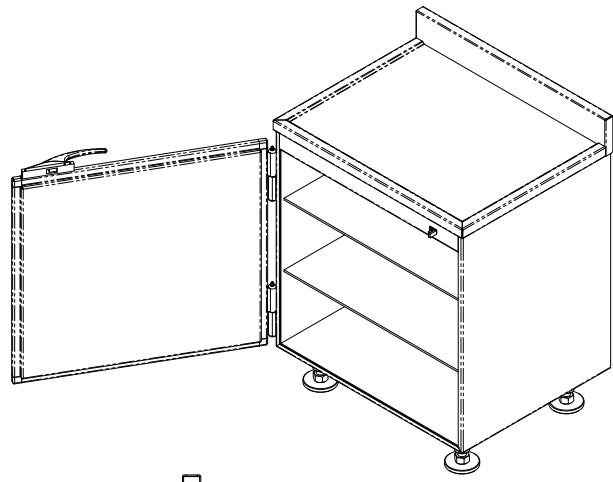
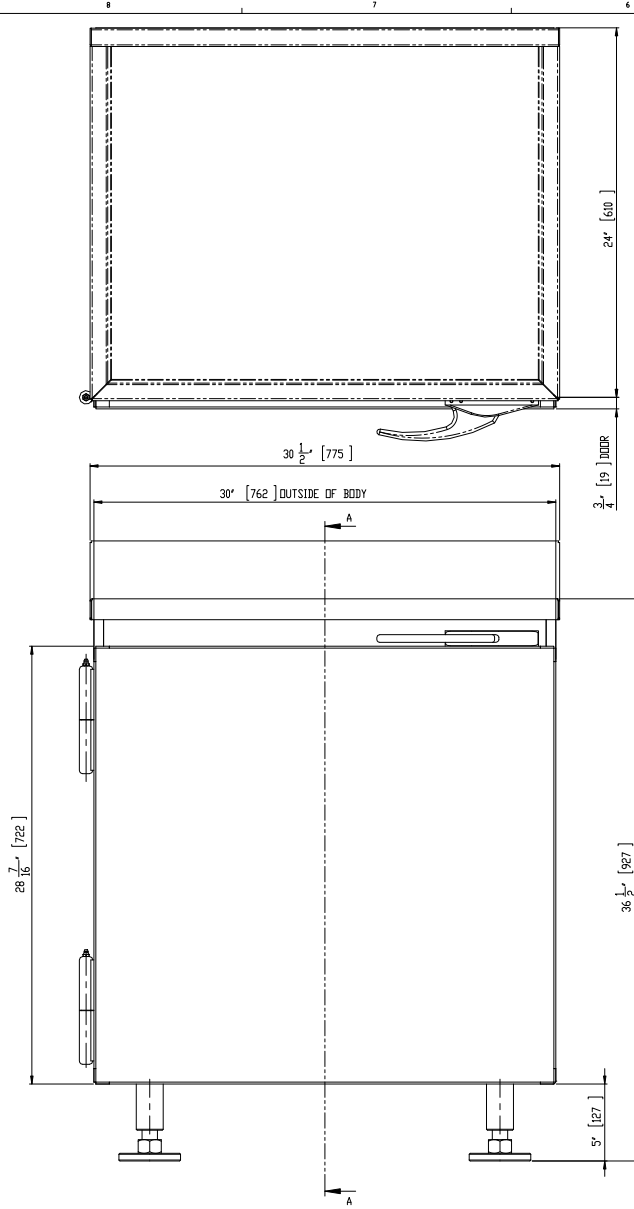
BY: _____ DATE: _____

TITLE: _____

COMPANY: _____

COMMENTS: _____

ITEM NO.	QTY	PART NUMBER	DESCRIPTION
1	1	MS-DC-05-01-00	BODY
2	1	MS-DC-05-02-00	DOOR
3	4	MS-DC-05-08-00	LEG
4	2		7" HINGE C/W GREASE NIPPLE
5	1	MS-10-01	OPTIONAL CABINET TOP



NOTES:
 1. ALL UNITS ARE INCHES (MM) UNLESS OTHERWISE SPECIFIED
 2. ITEM 5 (CABINET TOP) IS OPTIONAL

TOTAL LEAD WEIGHT	TOTAL CABINET WEIGHT (INCLUDING LEAD)
1,085 LBS. (493 kg)	1,555 LBS. (707 kg)

REV.	DESCRIPTION	DATE	APPROVER
B	ADDED WEIGHTS TABLE	2/27/2013	N.S.B.
A	RELEASED FOR CUSTOMER REVIEW & APPROVAL	1/17/2013	N.S.B.
REV.	DESCRIPTION	DATE	APPROVER

UNLESS OTHERWISE SPECIFIED

ALL DIMENSIONS ARE IN INCHES (MM) UNLESS OTHERWISE SPECIFIED

ALL DIMENSIONS ARE TO CENTER UNLESS OTHERWISE SPECIFIED

ALL DIMENSIONS ARE TO CENTER UNLESS OTHERWISE SPECIFIED

ALL DIMENSIONS ARE TO CENTER UNLESS OTHERWISE SPECIFIED

PROPERTY OF MARSHIELD

NO PART OF THIS DOCUMENT MAY BE REPRODUCED, STORED, OR TRANSMITTED IN ANY FORM OR BY ANY MEANS, WITHOUT THE WRITTEN PERMISSION OF Marshield, a Pure Radco Company

Marshield
 Custom Radiation Protection
 Shielding and Storage

ITEM: DECAY CABINET ASSEMBLY

DATE: 12/18/2012

MS-DC-05-30.5-24-36.5

SHEET 1 OF 1