

CUSTOMER APPROVAL ENDORSEMENT

APPROVED AS SHOWN

APPROVED WITH CHANGES SHOWN

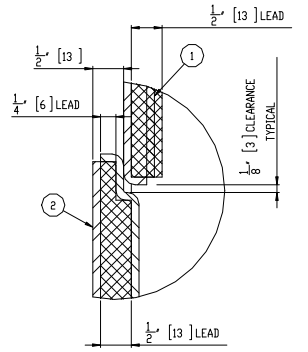
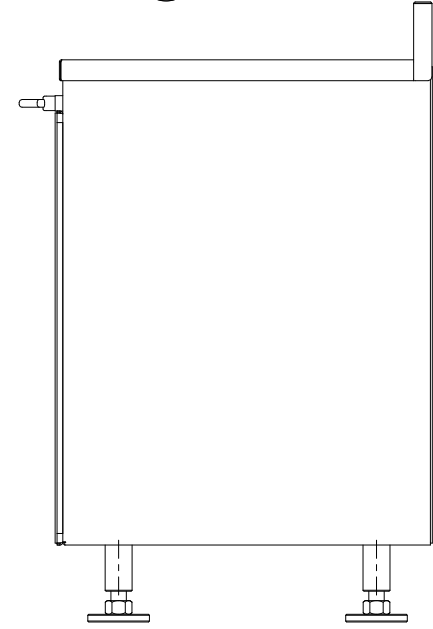
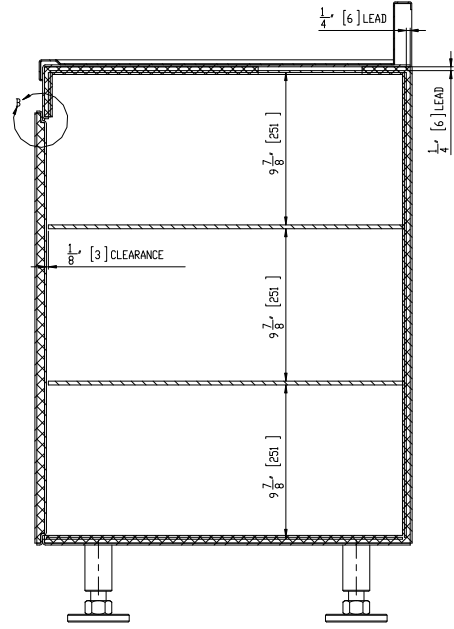
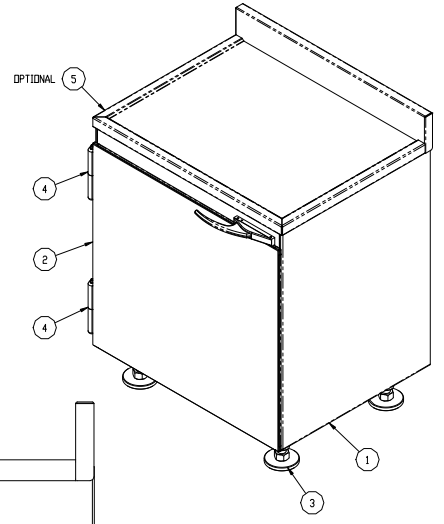
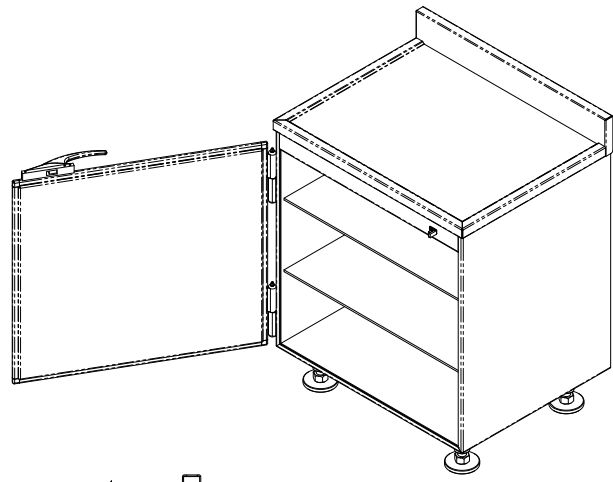
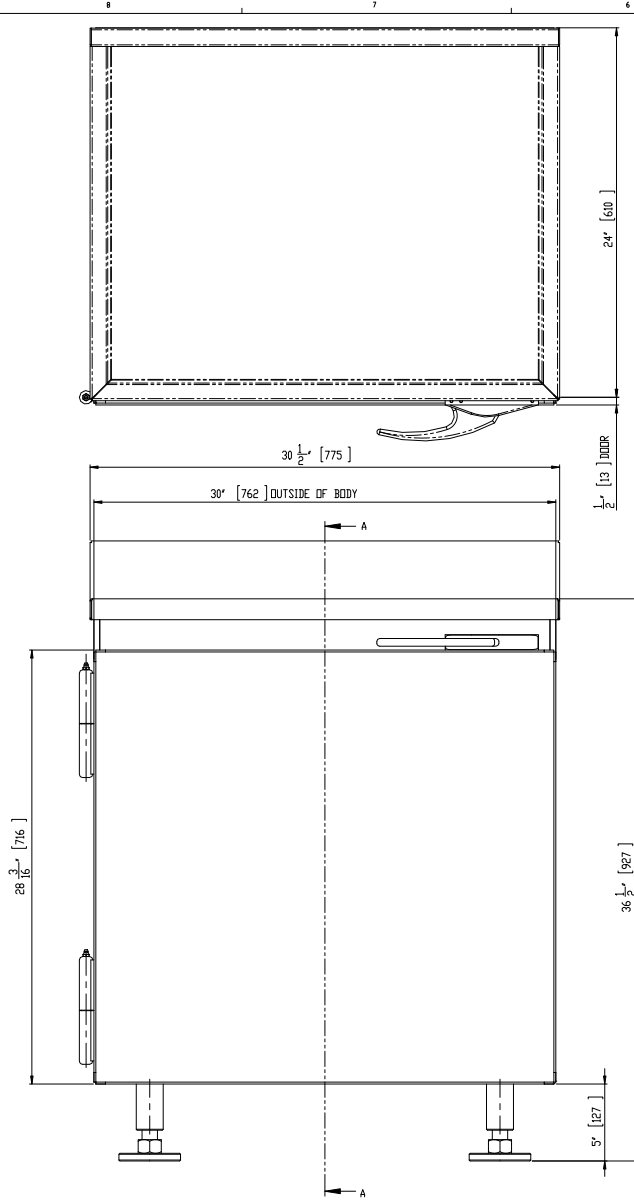
BY: _____ DATE: _____

TITLE: _____

COMPANY: _____

COMMENTS: _____

| ITEM NO. | QTY | PART NUMBER | DESCRIPTION |
|----------|-----|------------------|----------------------------|
| 1 | 1 | MS-DC-0.25-01-00 | BODY |
| 2 | 1 | MS-DC-0.25-02-00 | DOOR |
| 3 | 4 | MS-DC-0.5-08-00 | LEG |
| 4 | 2 | ----- | 7" HINGE C/W GREASE NIPPLE |
| 5 | 1 | MS-10-01 | OPTIONAL CABINET TOP |



DETAIL B
SCALE 1:1

NOTES:

1. ALL UNITS ARE INCHES (mm) UNLESS OTHERWISE SPECIFIED

2. ITEM 5 (CABINET TOP) IS OPTIONAL

| | |
|-------------------|---------------------------------------|
| TOTAL LEAD WEIGHT | TOTAL CABINET WEIGHT (INCLUDING LEAD) |
| 552 LBS. (251 kg) | 1027 LBS. (467 kg) |

SECTION A-A

| REV. | DESCRIPTION | DATE | APPROVED |
|------|--------------------|-----------|----------|
| A | ADDED WEIGHT TABLE | 2/27/2013 | MCS |

UNLESS OTHERWISE SPECIFIED

ALL DIMENSIONS ARE IN INCHES (mm) UNLESS OTHERWISE SPECIFIED

ALL DIMENSIONS ARE TO CENTER UNLESS OTHERWISE SPECIFIED

ALL DIMENSIONS ARE TO CENTER UNLESS OTHERWISE SPECIFIED

ALL DIMENSIONS ARE TO CENTER UNLESS OTHERWISE SPECIFIED

PROPERTY OF MARSHIELD

NO PART OF THIS DOCUMENT MAY BE REPRODUCED, STORED, OR TRANSMITTED IN ANY FORM OR BY ANY MEANS WITHOUT THE WRITTEN PERMISSION OF Marshield, a Pure Radco Company

DESIGN BY: _____ DATE: _____

DATE: 2/6/2013

SCALE: 1:1

Marshield Custom Radiation Protection Shielding and Storage

ITEM: DECAY CABINET ASSEMBLY

MS-DC-0.25-30.5-24-36.5

SHEET 1 OF 1