

CUSTOMER APPROVAL ENDORSEMENT

APPROVED AS SHOWN

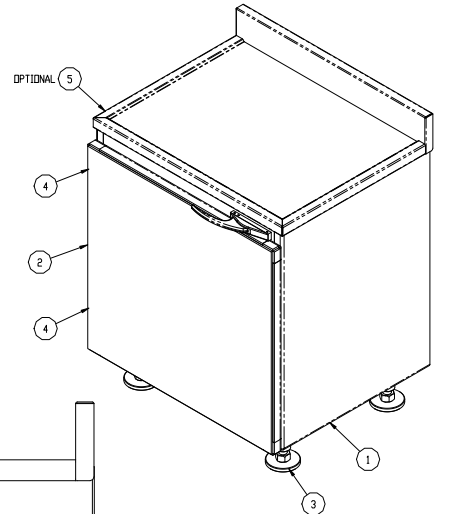
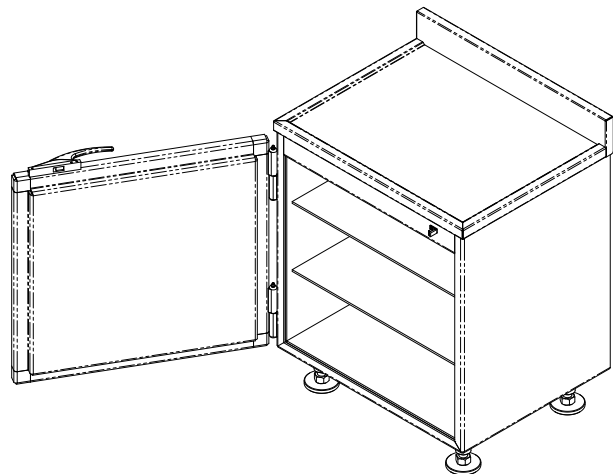
APPROVED WITH CHANGES SHOWN

BY: _____ DATE: _____

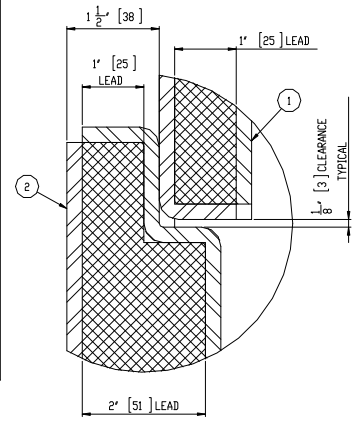
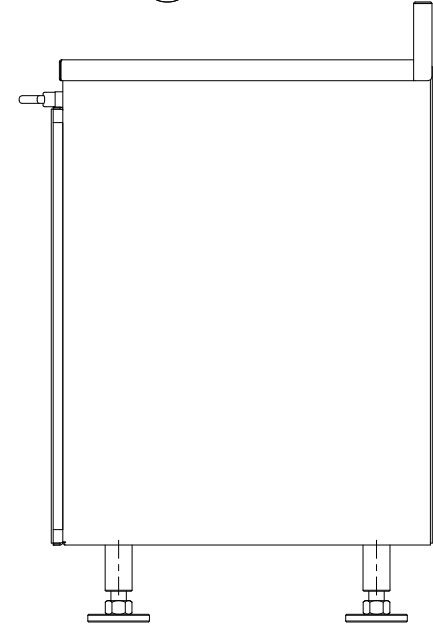
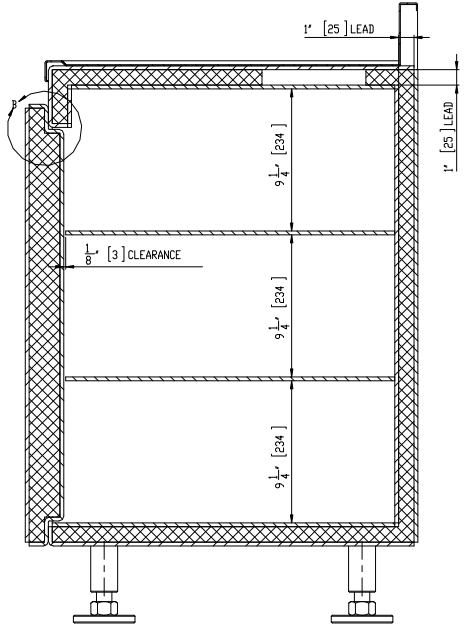
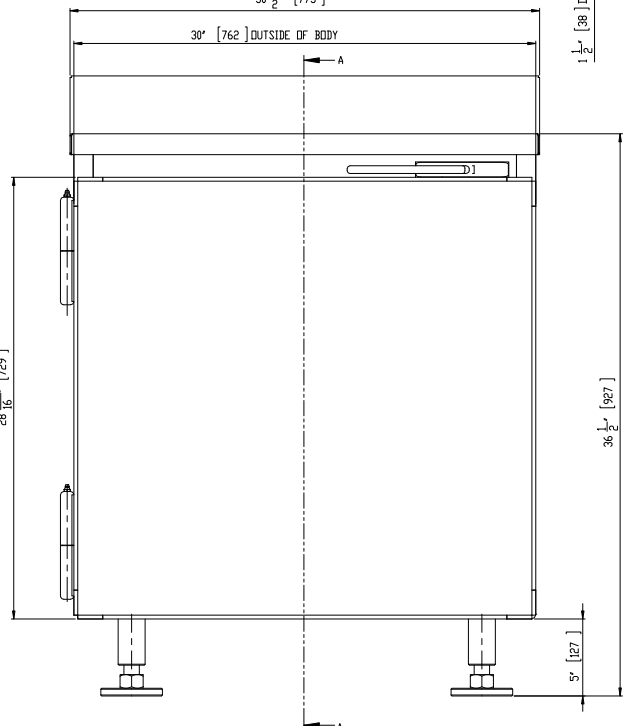
TITLE: _____

COMPANY: _____

COMMENTS: _____



ITEM NO.	QTY	PART NUMBER	DESCRIPTION
1	1	MS-DC-10-01-00	BODY
2	1	MS-DC-10-02-00	DOOR
3	4	MS-DC-0.5-08-00	LEG
4	2	-----	7" HINGE C/W GREASE NIPPLE
5	1	MS-10-01	OPTIONAL CABINET TOP



DETAIL B
SCALE 1:1

NOTES:

- 1. ALL UNITS ARE INCHES (mm) UNLESS OTHERWISE SPECIFIED
- 2. ITEM 5 (CABINET TOP) IS OPTIONAL

TOTAL LEAD WEIGHT	TOTAL CABINET WEIGHT (INCLUDING LEAD)
2,055 LBS. (934 kg)	2,830 LBS. (1,286 kg)

REV.	DESCRIPTION	REVISIONS	DATE	APPROVED
A	ADDED WEIGHTS TABLE		2/27/2013	N.S.D.

UNLESS OTHERWISE SPECIFIED

ALL DIMENSIONS UNLESS OTHERWISE SPECIFIED SHALL BE IN INCHES (MILLIMETERS).

ALL DIMENSIONS UNLESS OTHERWISE SPECIFIED SHALL BE IN MILLIMETERS.

PROPERTY OF MARSHIELD

NO PART OF THIS DOCUMENT MAY BE REPRODUCED, STORED, OR TRANSMITTED IN ANY FORM OR BY ANY MEANS WITHOUT THE WRITTEN PERMISSION OF Marshield, a Pure Radco Company

DESIGN BY: _____ DATE: _____

DATE: 2/27/2013

SCALE: N.S.D.

Marshield Custom Radiation Protection Shielding and Storage

TITLE: DECAY CABINET ASSEMBLY

DRAWING NO.: MS-DC-10-30.5-24-36.5

SHEET 1 OF 1