

ITEM NO.	QTY	PART NUMBER	DESCRIPTION
1	1	MS-DSC-05-01-00	BODY
2	1	MS-DSC-05-02-00	DOOR
3	4	MS-DSC-05-08-00	LEG
4	4	MS-DSC-05-03-00	DRAWER
5	2	-----	7" HINGE C/W GREASE NIPPLE
6	1	MS-19-02	OPTIONAL CABINET TOP

**CUSTOMER APPROVAL ENDORSEMENT**

APPROVED AS SHOWN

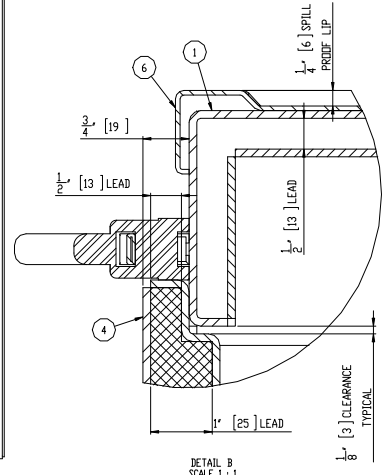
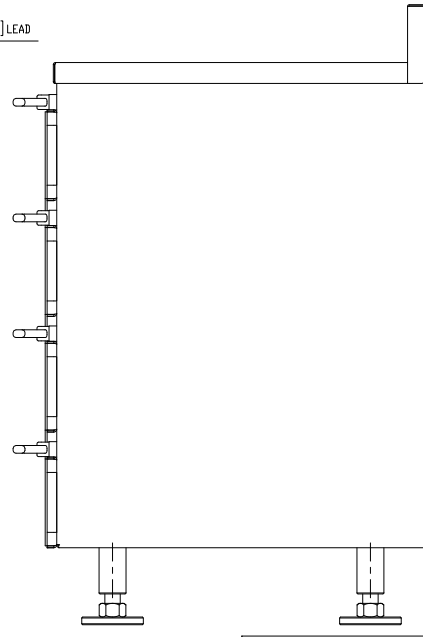
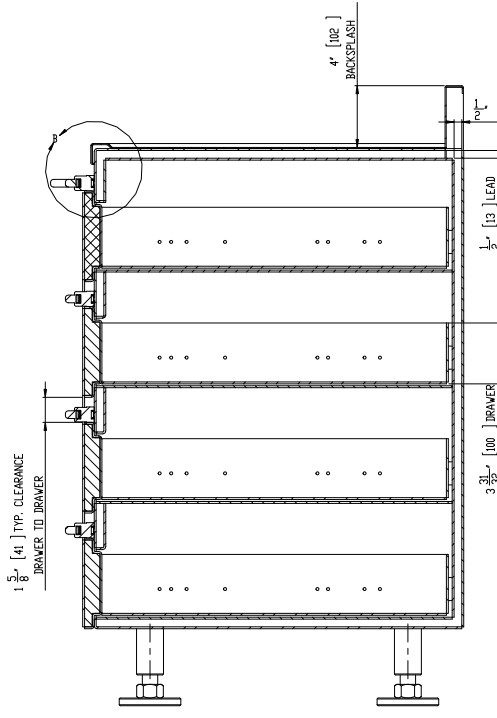
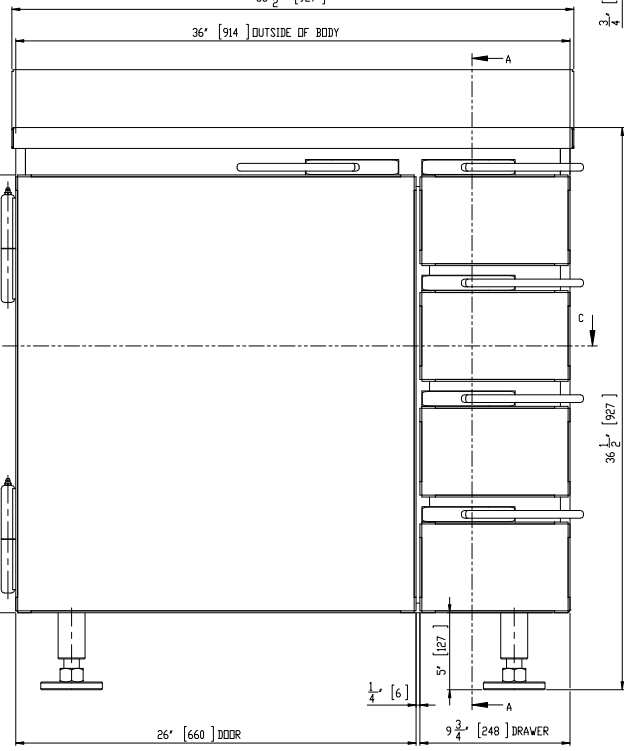
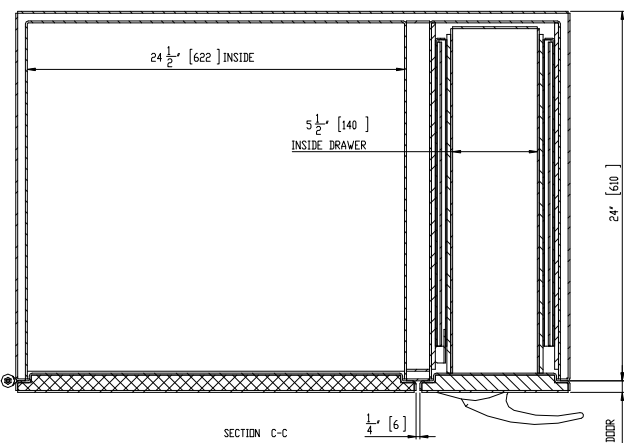
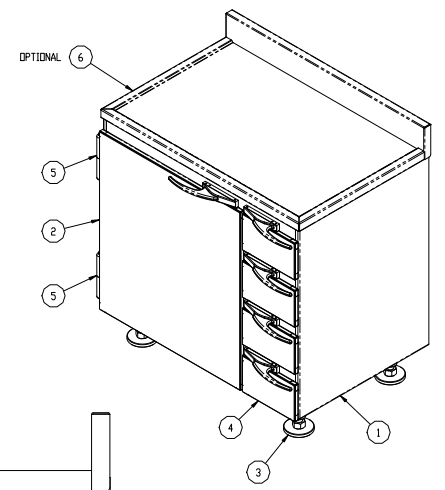
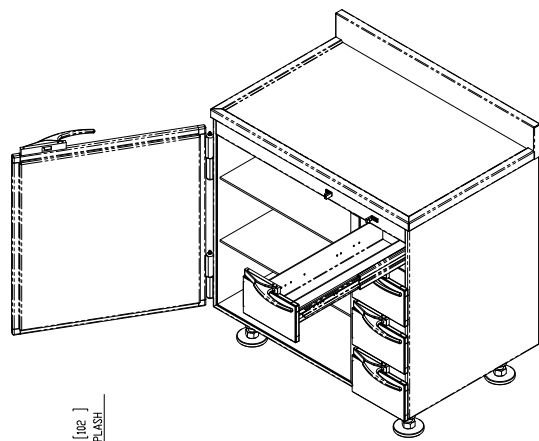
APPROVED WITH CHANGES SHOWN

BY: \_\_\_\_\_ DATE: \_\_\_\_\_

TITLE: \_\_\_\_\_

COMPANY: \_\_\_\_\_

COMMENTS: \_\_\_\_\_



TOTAL LEAD WEIGHT	TOTAL CABINET WEIGHT (INCLUDING LEAD)
1,240 LBS. (564 kg)	1,965 LBS. (893 kg)

REV.	DESCRIPTION	DATE	APPROVER
B	ADDED WEIGHTS TABLE	2/27/2013	N.S.B.
A	RELEASED FOR CUSTOMER REVIEW & APPROVAL	1/17/2013	N.S.B.

UNLESS OTHERWISE SPECIFIED

ALL DIMENSIONS UNLESS OTHERWISE SPECIFIED SHALL BE IN INCHES (MILLIMETERS).

ALL DIMENSIONS UNLESS OTHERWISE SPECIFIED SHALL BE IN MILLIMETERS (INCHES).

**MarShield** Custom Radiation Protection Shielding and Storage

DECAY AND STORAGE CABINET ASSEMBLY

DATE: 12/18/2012

PROJECT: MS-DSC-05-36.5-24-36.5

SHEET 1 OF 1

NOTES:

1. ALL UNITS ARE INCHES (MM) UNLESS OTHERWISE SPECIFIED

2. ITEM 6 (CABINET TOP) IS OPTIONAL