

**CUSTOMER APPROVAL ENDORSEMENT**

APPROVED AS SHOWN

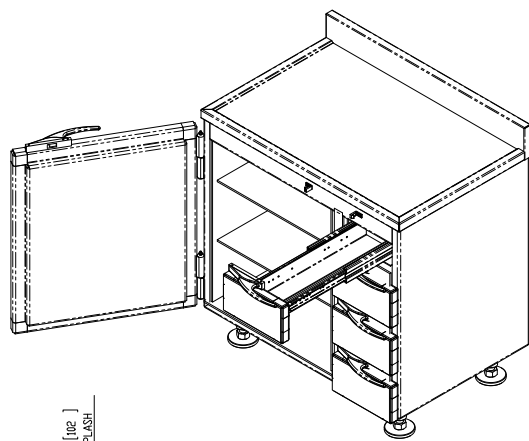
APPROVED WITH CHANGES SHOWN

BY: \_\_\_\_\_ DATE: \_\_\_\_\_

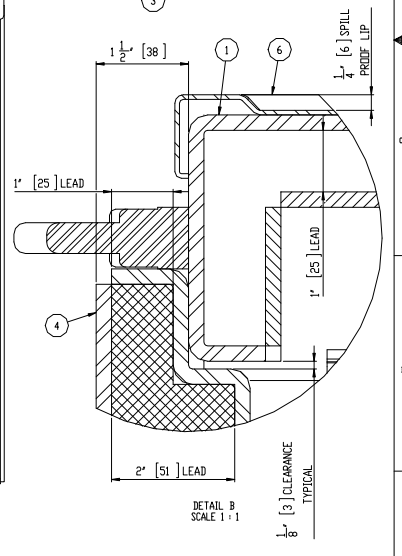
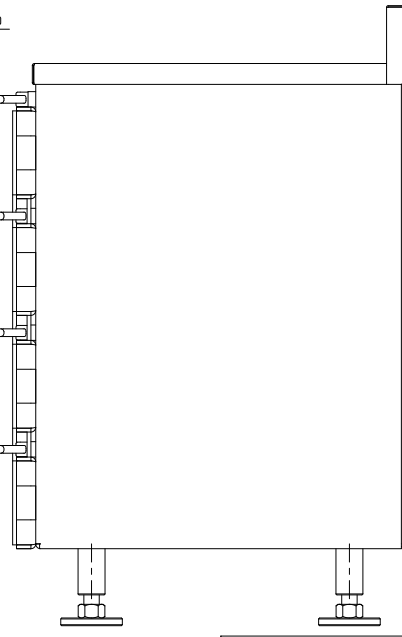
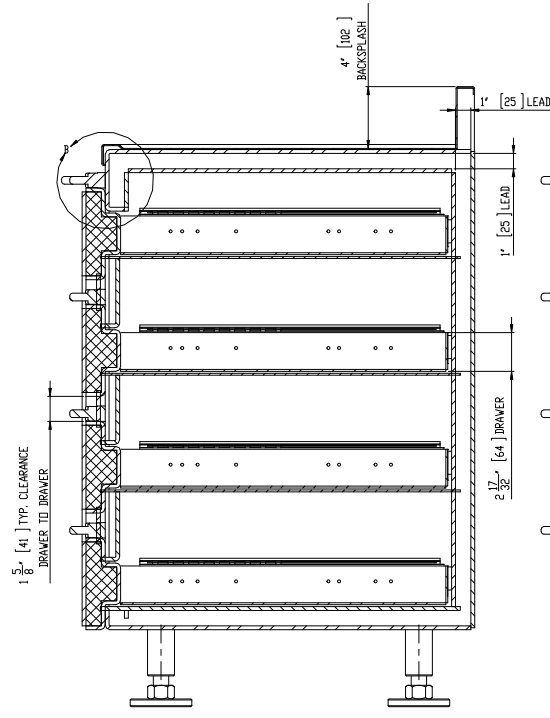
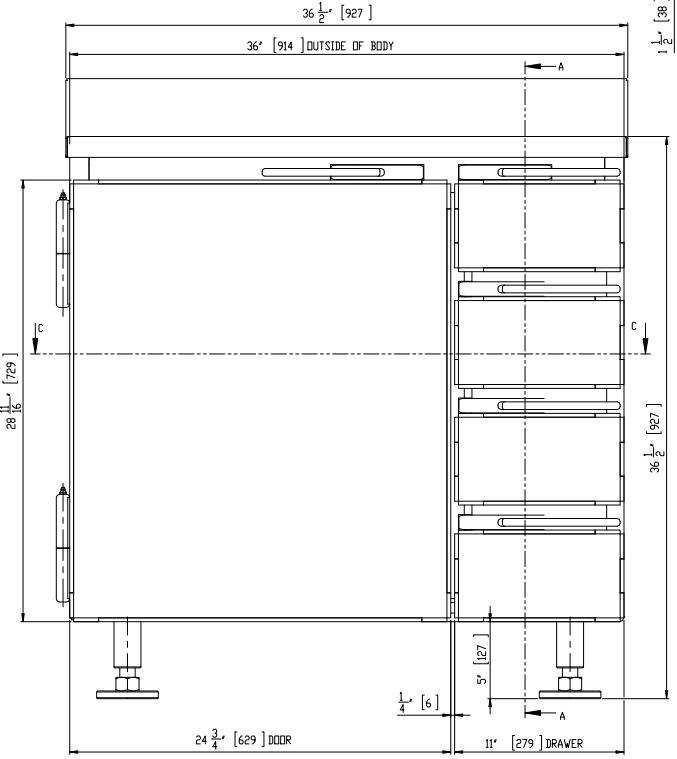
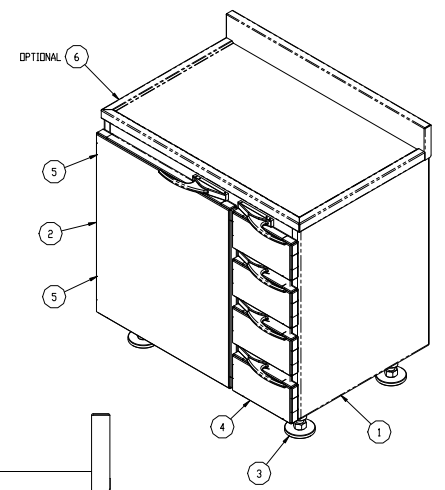
TITLE: \_\_\_\_\_

COMPANY: \_\_\_\_\_

COMMENTS: \_\_\_\_\_



ITEM NO.	QTY	PART NUMBER	DESCRIPTION
1	1	MS-DSC-1.0-01-00	BODY
2	1	MS-DSC-1.0-02-00	DOOR
3	4	MS-DC-0.5-08-00	LEG
4	4	MS-DSC-1.0-03-00	DRAWER
5	2	---	7" HINGE C/W GREASE NIPPLE
6	1	MS-10-02	OPTIONAL CABINET TOP



TOTAL LEAD WEIGHT	TOTAL CABINET WEIGHT (INCLUDING LEAD)
2,340 LBS. (1,064 kg)	3,450 LBS. (1,568 kg)

NOTES:

- ALL UNITS ARE INCHES (mm) UNLESS OTHERWISE SPECIFIED
- ITEM 6 (CABINET TOP) IS OPTIONAL

UNLESS OTHERWISE SPECIFIED				<b>MarShield</b> Custom Radiation Protection Shielding and Storage DECAY AND STORAGE CABINET ASSEMBLY	
ALL DIMENSIONS UNLESS NOTED OTHERWISE ARE IN INCHES AND DECIMALS THEREOF UNLESS OTHERWISE NOTED ALL DIMENSIONS UNLESS NOTED OTHERWISE ARE IN MILLIMETERS	ALL DIMENSIONS UNLESS NOTED OTHERWISE ARE IN MILLIMETERS ALL DIMENSIONS UNLESS NOTED OTHERWISE ARE IN MILLIMETERS	ALL PARTS OF THIS DRAWING AND ALL DIMENSIONS THEREOF ARE THE PROPERTY OF MarShield, Inc. AND SHALL REMAIN THE PROPERTY OF MarShield, Inc. AND SHALL NOT BE REPRODUCED OR TRANSMITTED IN ANY FORM OR BY ANY MEANS, ELECTRONIC OR MECHANICAL, INCLUDING PHOTOCOPYING, RECORDING, OR BY ANY INFORMATION STORAGE AND RETRIEVAL SYSTEM, WITHOUT THE WRITTEN PERMISSION OF MarShield, Inc.	DATE: 2/28/2013 DRAWN BY: M.S.B. CHECKED BY: M.S.B.	DATE: 2/28/2013 DRAWN BY: M.S.B. CHECKED BY: M.S.B.	SHEET 1 OF 1