

**CUSTOMER APPROVAL ENDORSEMENT**

APPROVED AS SHOWN

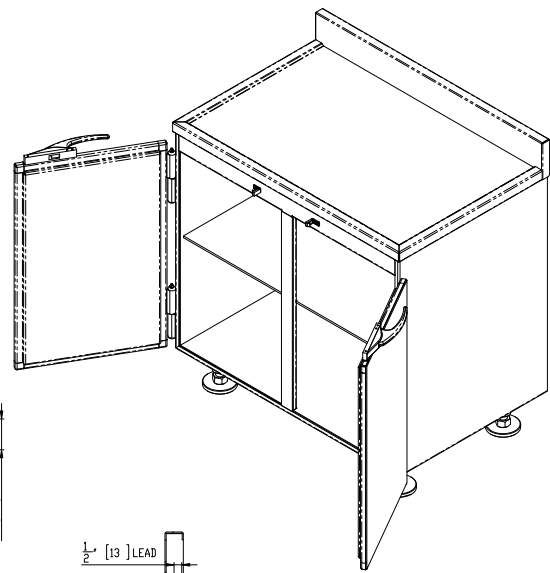
APPROVED WITH CHANGES SHOWN

BY: \_\_\_\_\_ DATE: \_\_\_\_\_

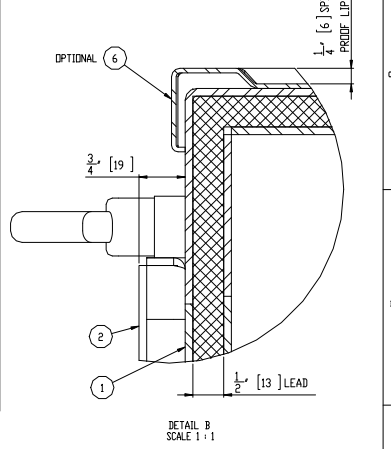
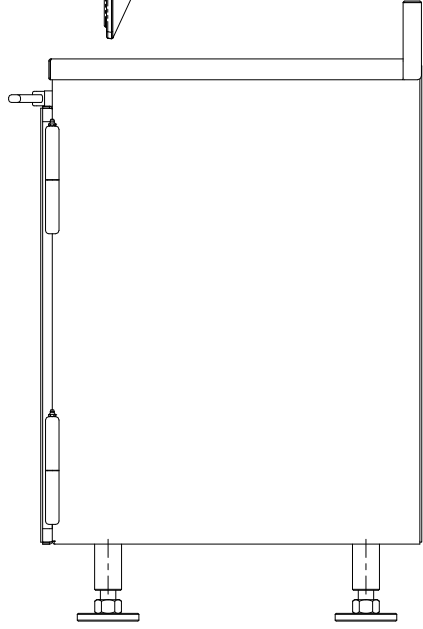
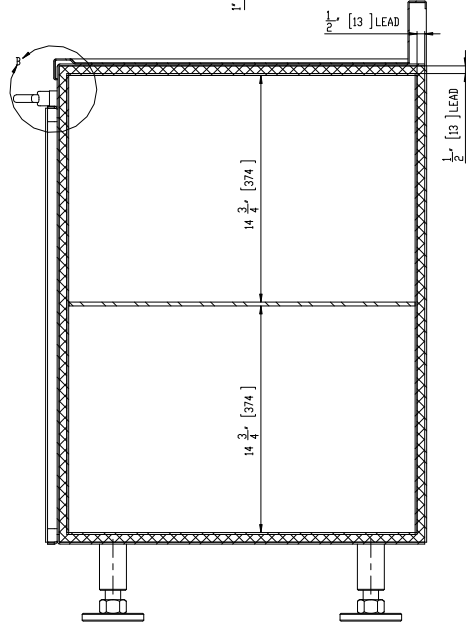
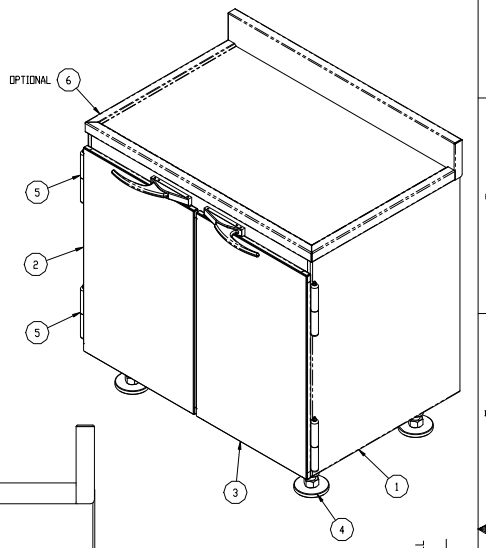
TITLE: \_\_\_\_\_

COMPANY: \_\_\_\_\_

COMMENTS: \_\_\_\_\_



ITEM NO.	QTY	PART NUMBER	DESCRIPTION
1	1	MS-PEBC-05-01-00	BODY
2	1	MS-PEBC-05-02-00	DOOR - LEFT HAND
3	1	MS-PEBC-05-02-00	DOOR - RIGHT HAND
4	4	MS-DC-05-08-00	LEG
5	4		7" HINGE C/W GREASE NIPPLE
6	1	MS-10-02	OPTIONAL CABINET TOP



**NOTES:**

1. ALL UNITS ARE INCHES (mm) UNLESS OTHERWISE SPECIFIED

2. ITEM 6 (CABINET TOP) IS OPTIONAL

TOTAL LEAD WEIGHT	TOTAL CABINET WEIGHT (INCLUDING LEAD)
1,250 LBS. (568 kg)	1,750 LBS. (795 kg)

REV.	DESCRIPTION	DATE	APPROVER
B	ADDED WEIGHTS TABLE	2/27/2003	N.S.B.
A	RELEASED FOR CUSTOMER REVIEW & APPROVAL	1/17/2003	N.S.B.

UNLESS OTHERWISE SPECIFIED

ALL DIMENSIONS UNLESS OTHERWISE SPECIFIED SHALL BE IN INCHES (mm) UNLESS OTHERWISE SPECIFIED

ALL DIMENSIONS UNLESS OTHERWISE SPECIFIED SHALL BE IN INCHES (mm) UNLESS OTHERWISE SPECIFIED

ALL DIMENSIONS UNLESS OTHERWISE SPECIFIED SHALL BE IN INCHES (mm) UNLESS OTHERWISE SPECIFIED

PROPERTY OF MARSHIELD CORPORATION. ALL RIGHTS RESERVED. NO PART OF THIS DOCUMENT MAY BE REPRODUCED, STORED, OR TRANSMITTED IN ANY FORM OR BY ANY MEANS, WITHOUT THE WRITTEN PERMISSION OF Marshield, a Pure Radco Company DIVISION OF Marshield, Inc. Marshield, Inc.

DATE: N.S.B. 1/16/2003

DESIGNER: N.S.B.

DRAWN: N.S.B.

CHECKED: N.S.B.

APPROVED: N.S.B.

ITEM: MS-PEBC-05-36.5-24-36.5

DESCRIPTION: PREPARATION ENCLOSURE BASE CABINET ASSEMBLY

SHEET 1 OF 1