

CUSTOMER APPROVAL ENDORSEMENT

APPROVED AS SHOWN

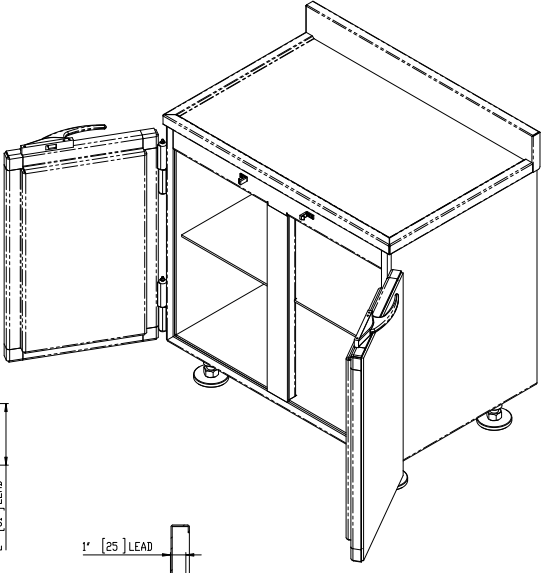
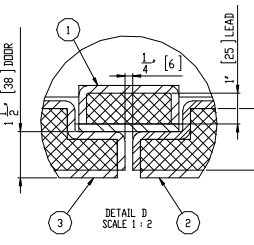
APPROVED WITH CHANGES SHOWN

BY: _____ DATE: _____

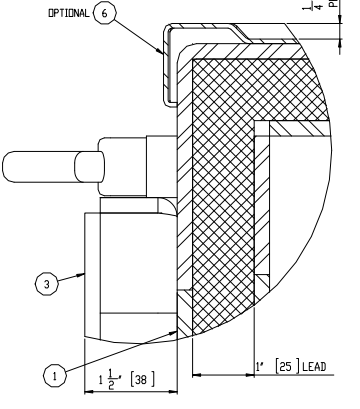
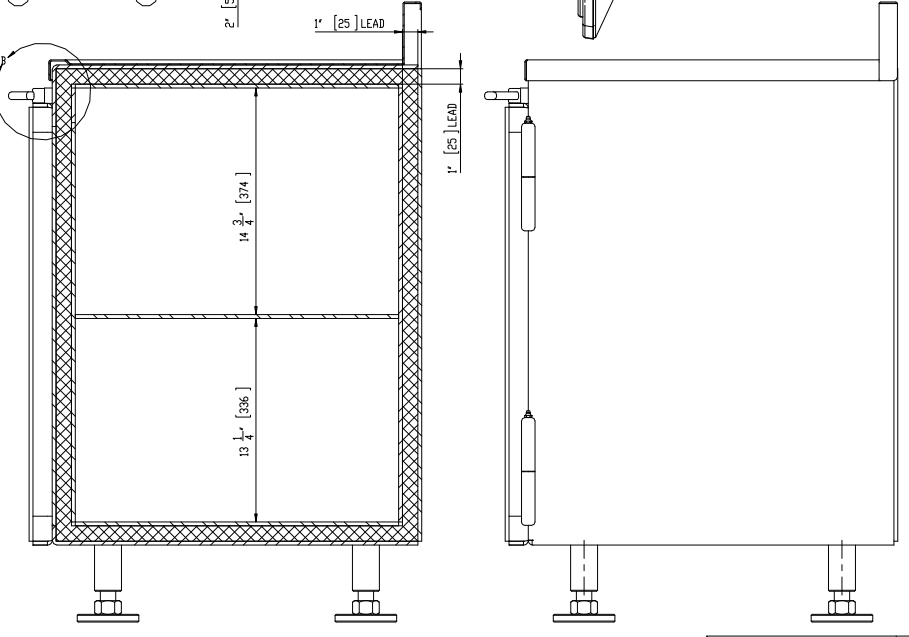
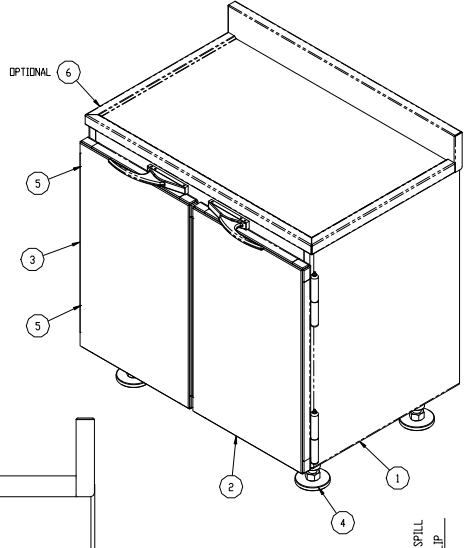
TITLE: _____

COMPANY: _____

COMMENTS: _____



ITEM NO.	QTY	PART NUMBER	DESCRIPTION
1	1	MS-PEBC-10-01-00	BODY
2	1	MS-PEBC-10-02-00	DOOR - RIGHT HAND
3	1	MS-PEBC-10-02-00	DOOR - LEFT HAND
4	4	MS-DC-05-08-00	LEG
5	4		7" HINGE C/W GREASE NIPPLE
6	1	MS-10-02	OPTIONAL CABINET TOP



NOTES:

1. ALL UNITS ARE INCHES (mm) UNLESS OTHERWISE SPECIFIED

2. ITEM 6 (CABINET TOP) IS OPTIONAL

TOTAL LEAD WEIGHT	TOTAL CABINET WEIGHT (INCLUDING LEAD)
2,365 LBS. (1,075 kg)	3,230 LBS. (1,468 kg)

REV.	DESCRIPTION	DATE	APPROVED
A	ADDED WEIGHTS TABLE	2/27/2013	MS.S.

UNLESS OTHERWISE SPECIFIED

MarShield Custom Radiation Protection Shielding and Storage

PREPARATION ENCLOSURE BASE CABINET ASSEMBLY

DATE: 2/27/2013

MS.S.

MS-PEBC-10-36.5-24-36.5

SHEET 1 OF 1