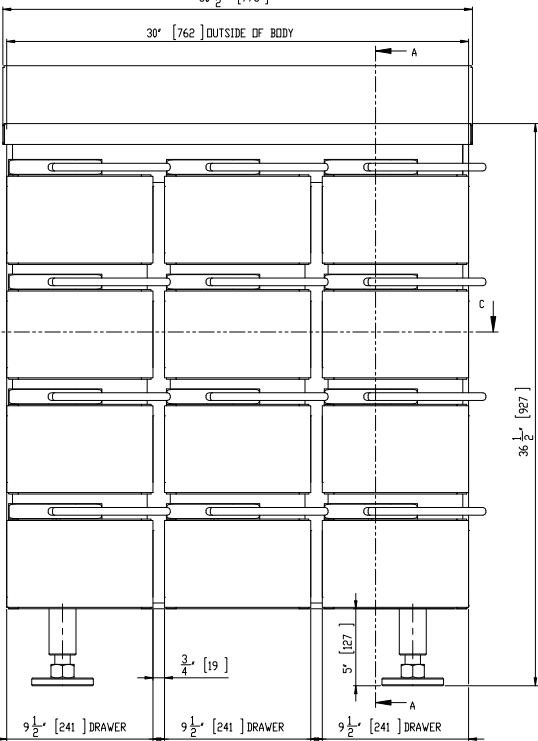


SECTION C-C

30 1/2 [775]



SECTION A-A

CUSTOMER APPROVAL
ENDORSEMENT

APPROVED AS SHOWN

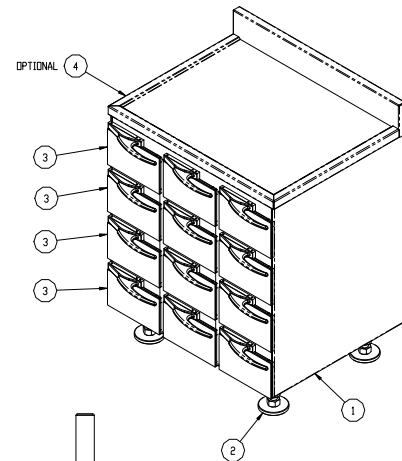
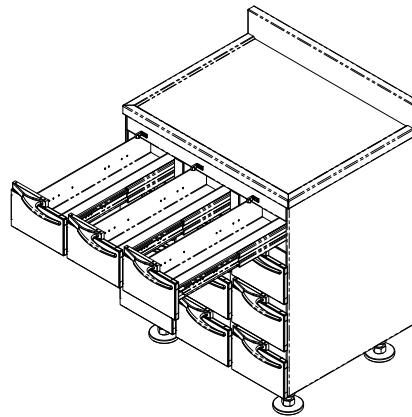
APPROVED WITH CHANGES SHOWN

BY: _____ DATE: _____

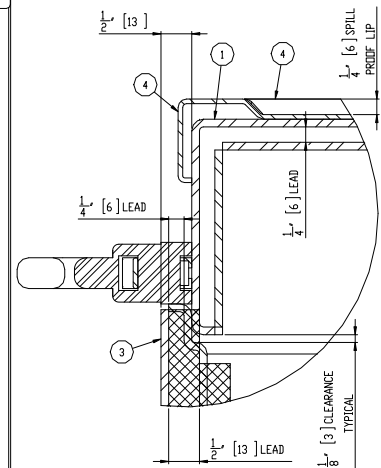
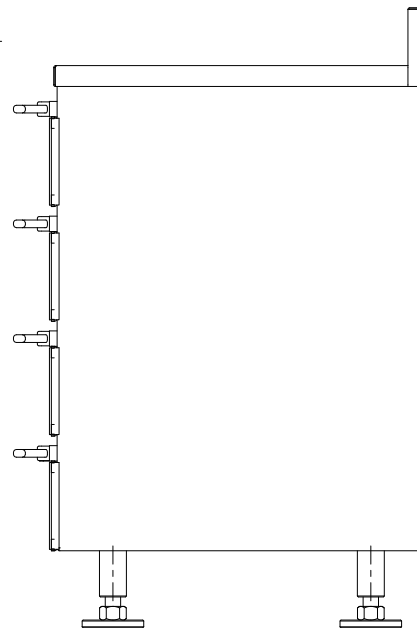
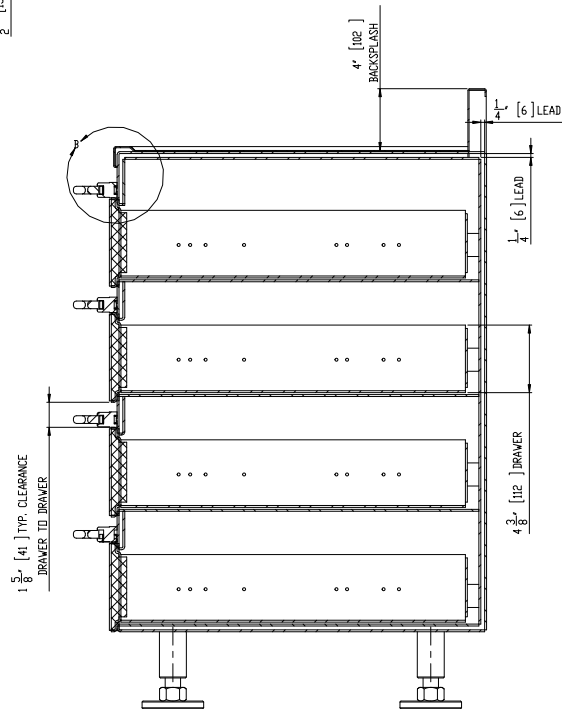
TITLE: _____

COMPANY: _____

COMMENTS: _____



ITEM NO.	QTY	PART NUMBER	DESCRIPTION
1	1	MS-RSC-025-01-00	BODY
2	4	MS-DC-05-08-00	LEG
3	12	MS-DSC-025-03-00	DRAWER
4	1	MS-10-01	OPTIONAL CABINET TOP



DETAIL B
SCALE 1:1

TOTAL LEAD WEIGHT	TOTAL CABINET WEIGHT (INCLUDING LEAD)
530 LBS. (241 kg)	1645 LBS. (748 kg)

REV.	DESCRIPTION	DATE	APPROVED
A	ADDED WEIGHTS TABLE	2/27/2013	N.S.D.

UNLESS OTHERWISE SPECIFIED

ALL DIMENSIONS ARE IN INCHES (MILLIMETERS) UNLESS OTHERWISE SPECIFIED

ALL DIMENSIONS ARE TO FACE UNLESS OTHERWISE SPECIFIED

ALL DIMENSIONS ARE TO CENTER UNLESS OTHERWISE SPECIFIED

ALL DIMENSIONS ARE TO CENTER UNLESS OTHERWISE SPECIFIED

PROPERTY OF MARSHIELD

NO PART OF THIS DOCUMENT MAY BE REPRODUCED, STORED, OR TRANSMITTED IN ANY FORM OR BY ANY MEANS WITHOUT THE WRITTEN PERMISSION OF Marshield, a Pure Radco Company

DESIGNED BY: N.S.D.

DATE: 2/13/2013

SCALE: 1/4" = 1"

MarShield Custom Radiation Protection Shielding and Storage

ITEM: RADIISOTOPE STORAGE CABINET ASSEMBLY

DATE: 2/13/2013

SCALE: 1/4" = 1"

MS-RSC-025-30.5-24-36.5

SHEET 1 OF 1

- NOTES:
- ALL UNITS ARE INCHES (MM) UNLESS OTHERWISE SPECIFIED
 - ITEM 4 (CABINET TOP) IS OPTIONAL