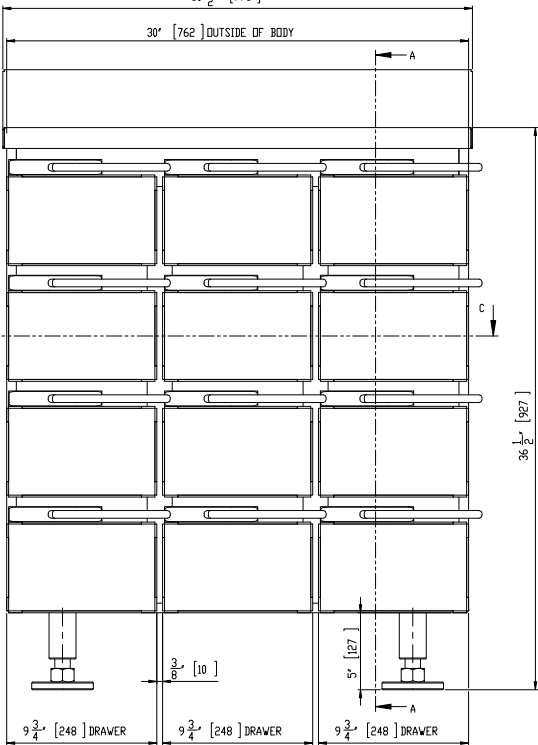


SECTION C-C  
30 1/2" [775]



NOTES:

- 1. ALL UNITS ARE INCHES (MM) UNLESS OTHERWISE SPECIFIED
- 2. ITEM 4 (CABINET TOP) IS OPTIONAL

**CUSTOMER APPROVAL ENDORSEMENT**

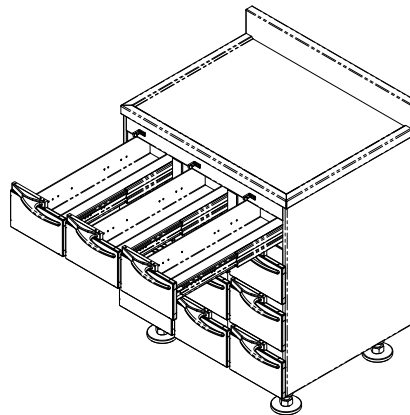
APPROVED AS SHOWN  
 APPROVED WITH CHANGES SHOWN

BY: \_\_\_\_\_ DATE: \_\_\_\_\_

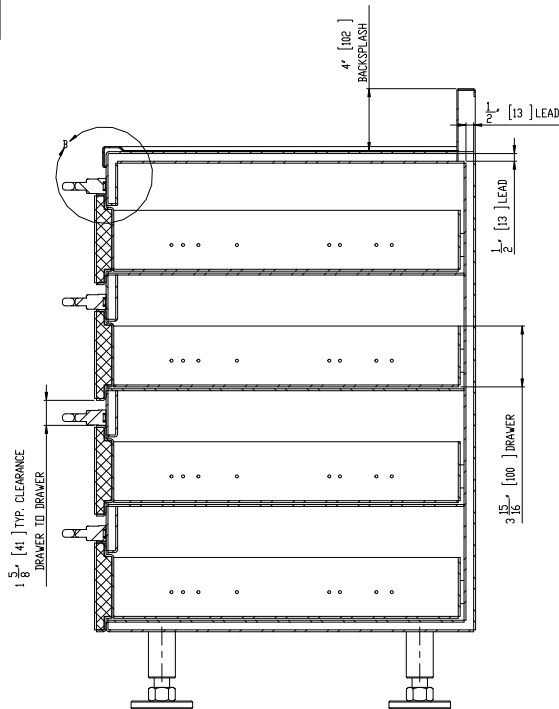
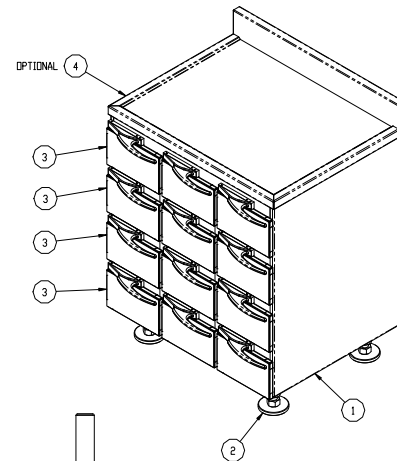
TITLE: \_\_\_\_\_

COMPANY: \_\_\_\_\_

COMMENTS: \_\_\_\_\_

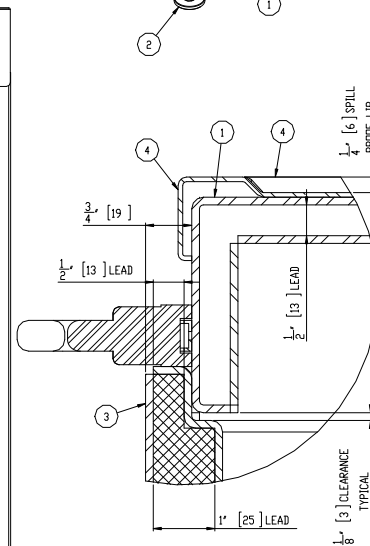
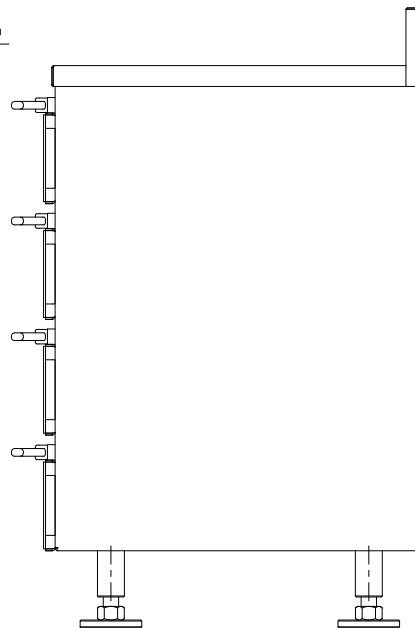


ITEM NO.	QTY	PART NUMBER	DESCRIPTION
1	1	MS-RSC-05-01-00	BODY
2	4	MS-DC-05-08-00	LEG
3	12	MS-DSC-05-03-00	DRAWER
4	1	MS-10-01	OPTIONAL CABINET TOP



SECTION A-A

TOTAL LEAD WEIGHT	TOTAL CABINET WEIGHT (INCLUDING LEAD)
1,035 LBS. (470 kg)	2,145 LBS. (975 kg)



DETAIL B  
SCALE 1:1

UNLESS OTHERWISE SPECIFIED				<b>MarShield</b> Custom Radiation Protection Shielding and Storage RADIODIAGNOSTIC STORAGE CABINET ASSEMBLY	
ALL DIMENSIONS UNLESS OTHERWISE SPECIFIED DIMENSIONS IN PARENTS AND FRACTIONS ARE TO DIMENSION LINES UNLESS OTHERWISE SPECIFIED DIMENSIONS IN PARENTS AND FRACTIONS ARE TO DIMENSION LINES UNLESS OTHERWISE SPECIFIED DIMENSIONS IN PARENTS AND FRACTIONS ARE TO DIMENSION LINES UNLESS OTHERWISE SPECIFIED	ALL DIMENSIONS UNLESS OTHERWISE SPECIFIED DIMENSIONS IN PARENTS AND FRACTIONS ARE TO DIMENSION LINES UNLESS OTHERWISE SPECIFIED DIMENSIONS IN PARENTS AND FRACTIONS ARE TO DIMENSION LINES UNLESS OTHERWISE SPECIFIED DIMENSIONS IN PARENTS AND FRACTIONS ARE TO DIMENSION LINES UNLESS OTHERWISE SPECIFIED	ALL DIMENSIONS UNLESS OTHERWISE SPECIFIED DIMENSIONS IN PARENTS AND FRACTIONS ARE TO DIMENSION LINES UNLESS OTHERWISE SPECIFIED DIMENSIONS IN PARENTS AND FRACTIONS ARE TO DIMENSION LINES UNLESS OTHERWISE SPECIFIED DIMENSIONS IN PARENTS AND FRACTIONS ARE TO DIMENSION LINES UNLESS OTHERWISE SPECIFIED	ALL DIMENSIONS UNLESS OTHERWISE SPECIFIED DIMENSIONS IN PARENTS AND FRACTIONS ARE TO DIMENSION LINES UNLESS OTHERWISE SPECIFIED DIMENSIONS IN PARENTS AND FRACTIONS ARE TO DIMENSION LINES UNLESS OTHERWISE SPECIFIED DIMENSIONS IN PARENTS AND FRACTIONS ARE TO DIMENSION LINES UNLESS OTHERWISE SPECIFIED	ALL DIMENSIONS UNLESS OTHERWISE SPECIFIED DIMENSIONS IN PARENTS AND FRACTIONS ARE TO DIMENSION LINES UNLESS OTHERWISE SPECIFIED DIMENSIONS IN PARENTS AND FRACTIONS ARE TO DIMENSION LINES UNLESS OTHERWISE SPECIFIED DIMENSIONS IN PARENTS AND FRACTIONS ARE TO DIMENSION LINES UNLESS OTHERWISE SPECIFIED	ALL DIMENSIONS UNLESS OTHERWISE SPECIFIED DIMENSIONS IN PARENTS AND FRACTIONS ARE TO DIMENSION LINES UNLESS OTHERWISE SPECIFIED DIMENSIONS IN PARENTS AND FRACTIONS ARE TO DIMENSION LINES UNLESS OTHERWISE SPECIFIED DIMENSIONS IN PARENTS AND FRACTIONS ARE TO DIMENSION LINES UNLESS OTHERWISE SPECIFIED
0 1 2 3 4 5 6 7 8 9 10 11 12 13 14 15 16 17 18 19 20 21 22 23 24 25 26 27 28 29 30 31 32 33 34 35 36 37 38 39 40 41 42 43 44 45 46 47 48 49 50 51 52 53 54 55 56 57 58 59 60 61 62 63 64 65 66 67 68 69 70 71 72 73 74 75 76 77 78 79 80 81 82 83 84 85 86 87 88 89 90 91 92 93 94 95 96 97 98 99 100	0 1 2 3 4 5 6 7 8 9 10 11 12 13 14 15 16 17 18 19 20 21 22 23 24 25 26 27 28 29 30 31 32 33 34 35 36 37 38 39 40 41 42 43 44 45 46 47 48 49 50 51 52 53 54 55 56 57 58 59 60 61 62 63 64 65 66 67 68 69 70 71 72 73 74 75 76 77 78 79 80 81 82 83 84 85 86 87 88 89 90 91 92 93 94 95 96 97 98 99 100	0 1 2 3 4 5 6 7 8 9 10 11 12 13 14 15 16 17 18 19 20 21 22 23 24 25 26 27 28 29 30 31 32 33 34 35 36 37 38 39 40 41 42 43 44 45 46 47 48 49 50 51 52 53 54 55 56 57 58 59 60 61 62 63 64 65 66 67 68 69 70 71 72 73 74 75 76 77 78 79 80 81 82 83 84 85 86 87 88 89 90 91 92 93 94 95 96 97 98 99 100	0 1 2 3 4 5 6 7 8 9 10 11 12 13 14 15 16 17 18 19 20 21 22 23 24 25 26 27 28 29 30 31 32 33 34 35 36 37 38 39 40 41 42 43 44 45 46 47 48 49 50 51 52 53 54 55 56 57 58 59 60 61 62 63 64 65 66 67 68 69 70 71 72 73 74 75 76 77 78 79 80 81 82 83 84 85 86 87 88 89 90 91 92 93 94 95 96 97 98 99 100	0 1 2 3 4 5 6 7 8 9 10 11 12 13 14 15 16 17 18 19 20 21 22 23 24 25 26 27 28 29 30 31 32 33 34 35 36 37 38 39 40 41 42 43 44 45 46 47 48 49 50 51 52 53 54 55 56 57 58 59 60 61 62 63 64 65 66 67 68 69 70 71 72 73 74 75 76 77 78 79 80 81 82 83 84 85 86 87 88 89 90 91 92 93 94 95 96 97 98 99 100	0 1 2 3 4 5 6 7 8 9 10 11 12 13 14 15 16 17 18 19 20 21 22 23 24 25 26 27 28 29 30 31 32 33 34 35 36 37 38 39 40 41 42 43 44 45 46 47 48 49 50 51 52 53 54 55 56 57 58 59 60 61 62 63 64 65 66 67 68 69 70 71 72 73 74 75 76 77 78 79 80 81 82 83 84 85 86 87 88 89 90 91 92 93 94 95 96 97 98 99 100